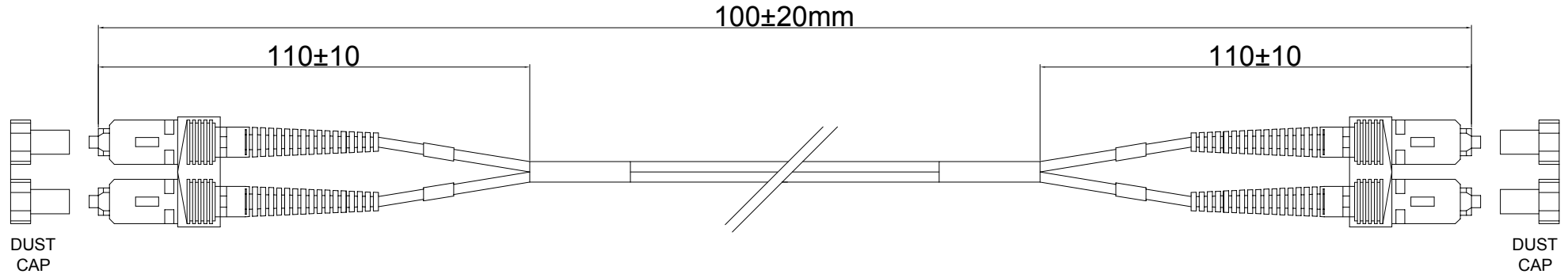


P/N: FJ9SCSC-XX

REV	DATE	MODIFICATION

Fiber Optic Patch Cable, SC-SC, 9/125 OS2 Singlemode Duplex



- CONNECTOR A: SC/UPC S/M BOOT: BLUE
CONNECTOR A: SC/UPC S/M BOOT: BLUE
- CABLE TYPE: DUPLEX SINGLEMODE 9/125uM INDOOR 3.0mm
- LENGTH: 100±20mm
- JACKET COLOR: YELLOW (Pantone Code 7408C)
- PRINTING WORDS ON THE JACKET:
FIBER CABLE 9/125uM SINGLEMODE DUPLEX OFNR (UL)xxxx
- INSERTION LOSS(IL): ≤0.30dB
RETURN LOSS(RL): SPC≥45dB MM≥23dB
UPC≥50dB
APC≥60dB
- MAXIMUM ATTENUATION: 3.5/1.5 dB/km (850/1300)
- MIN BENDING RADIUS: 4cm (LOADED), 2cm (UNLOADED)
- MIN BANDWIDTH: 200/500 MHZ.Km
- OPERATING TEMPERATURE: -20 CENTIGRATE to +70 CENTIGRATE
- STORAGE TEMPERATURE: -40 CENTIGRATE to +70 CENTIGRATE
- PACKING: EACH CABLE PACKED IN A
HOT-SEALED POLYBAG, TEST DATA KEEP IN BAG
- STANDARDS: TIA/EIA-568B.3 , G657A OS2

Ordering Information:

FJ	MODE	1	2	Length(M)	Jacket Material
	5G=50/125 10Gigabit	LC=LC	LC=LC	01M=1Meter	LSZH=Low Smoke Zero Halogen
	5=50/125 multimode	SC=SC	SC=SC	02M=2Meter	OFNR=Riser PVC
	6=62.5/125 multimode	ST=ST	ST=ST	OFNP=Plenum PVC
	9=9/125 singlemode	MT=MTRJ	MT=MTRJ	500M=500Meter	

REMARKS: THIS ORDERING INFORMATION DEFAULTED DUPLEX,
SIMPLEX ALSO AVAILABLE



PART NO.	FJ9SCSC-XX			
DESCRIPTION	Fiber Optic Patch Cable, SC-SC, 9/125 Singlemode Duplex			
APPROVED	CHECKED	DRAWN	DATE	2011-7-8
		NICK	REV	