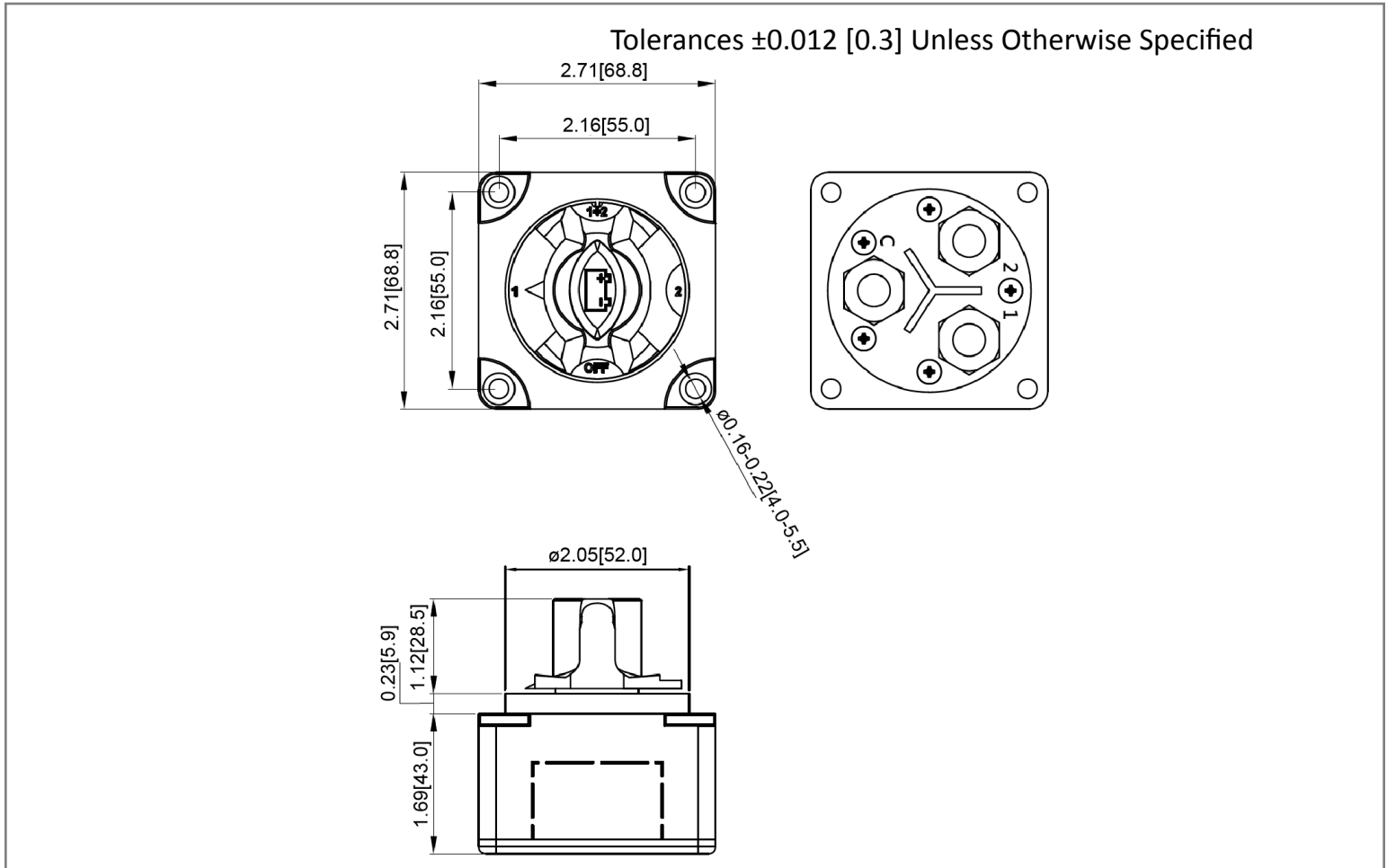
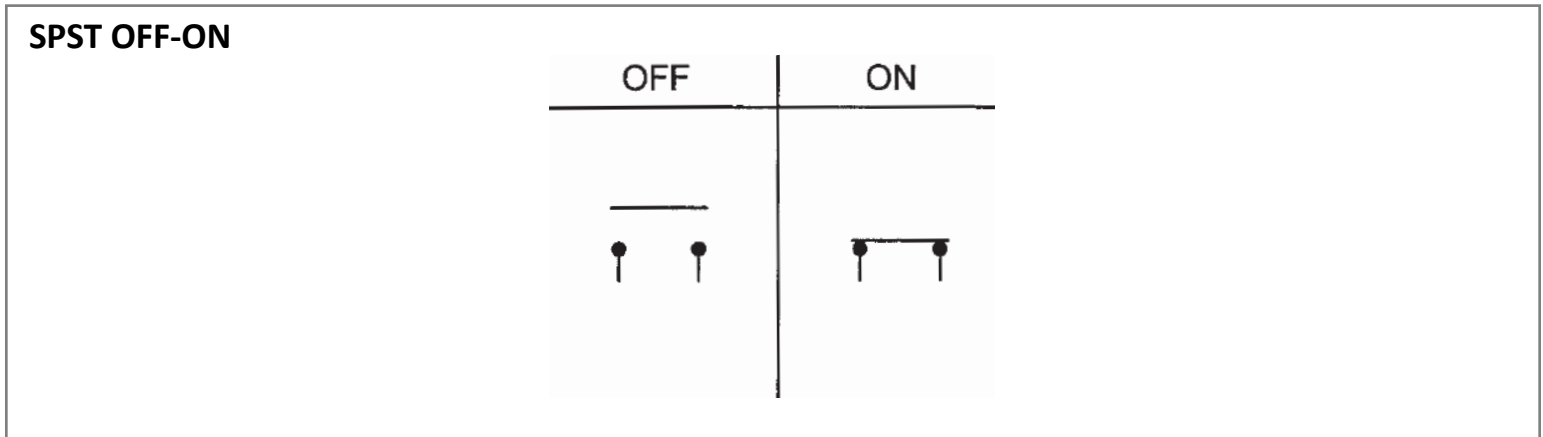


Mechanical Dimensions: Inches [mm]



Circuit Diagram



Electrical Specifications

Continuous Rating	300A 12-48V DC
Intermittent Rating	700A
Cranking Rating	1000A for 5secs
Insulation Resistance	DC 500V 1M ohm Min.
Operation Temperature	-40°C ~ 85°C

Material Specifications

Housing	Nylon with 30% Fiberglass
Bottom	PBT
Terminals / Contacts	Copper, Silver plated
Actuator	ABS

Rev	Date of issue	Revision Notes	Designed	Approved
A	12-14-2020	Initial Drawing	RC	OF