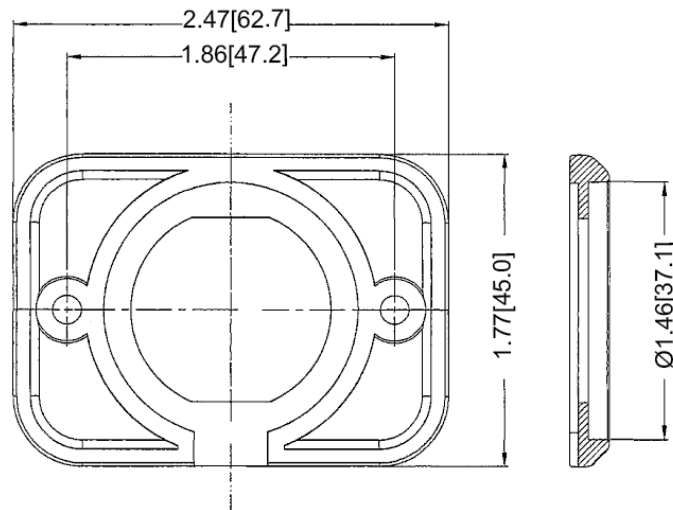
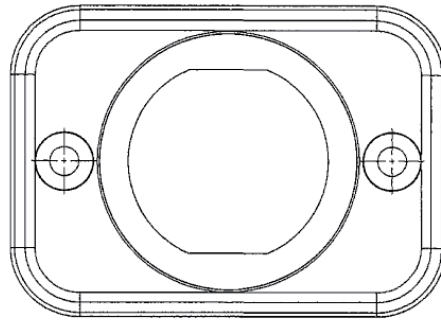


Mechanical Dimensions: Inches [mm]Tolerances ± 0.012 [0.3] Unless Otherwise Specified**Specifications**

One hole plate

Screws included

Flush mount

Fit with A1 Series - USB Socket, Outlet Socket, Voltmeter and Amp Meter

Nylon (UL94V-2), Black

Rev Date of issue Revision Notes

Designed Approved

A	12-03-2020	Initial Drawing	RC	OF
---	------------	-----------------	----	----