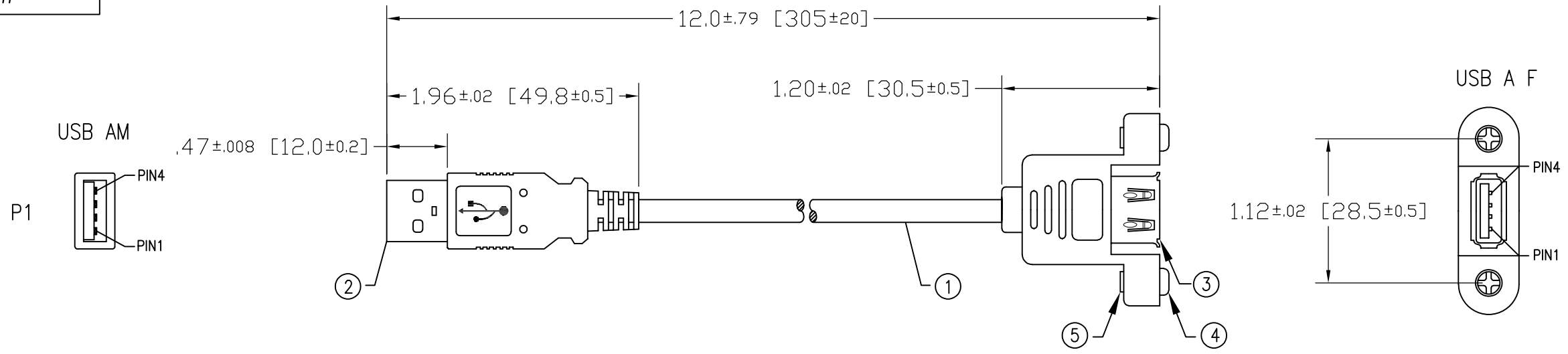


PART NUMBER  
SC-2APK001F

| DATE     | REV | ECN      | APP'D. BY |
|----------|-----|----------|-----------|
| 07/19/21 | A0  | Released | BTS       |
| 07/28/21 | A1  | 11786    | GWL       |
| 05/13/22 | A2  | 11982    | JMM       |

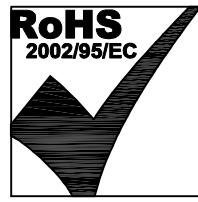


Notes:

1. Cable:  
USB 2.0 CABLE, UL 2725 STYLE 1 TWISTED PAIR 28AWG AND 2C 24AWG, AMA BRAID, OD 4.5MM, JACKET BLACK,
2. Connector P1:  
USB A MALE , GOLD FLASH ON CONTACTS, WHITE INSULATOR, CRIMP TWO PIECES TYPE OVER-MOLDED PVC COLOR: BLACK
3. Connector P2:  
USB A FEMALE, GOLD FLASH ON CONTACTS, WHITE INSULATOR, OVER-MOLDED PVC COLOR: BLACK
4. SCREW: #4-40\*8mm
5. HEX-NUT 5\*7.7 mm
6. ELECTRICAL TEST:
  - 6.1. 100%TEST(OPEN ,SHORT ,WIRE MAP)
7. PACKAGING: EACH CABLE ASSEMBLY TO BE INDIVIDUALLY BAGGED
8. CABLE MARKING: HI-SPEED USB REVISION 2.0 SHIELDED 28AWG/1PR+24AWG/2C E300060 兎 AWM 2725 80°C 30V VW-1 CSA 204790 AWM 1/II A/B 80°C 30V FT1 MSL

| P1     | P2     |       |     |
|--------|--------|-------|-----|
| 1      | 1      | RED   | 24# |
| 2      | 2      | WHITE |     |
| 3      | 3      | GREEN |     |
| 4      | 4      | BLACK | 24# |
| SHIELD | SHIELD |       |     |

ASSEMBLY FORMAT REV. 6/3/05



THIRD ANGLE PROJECTION  
DO NOT SCALE DRAWING  
DRAWING IS SUBJECT TO CHANGE WITHOUT NOTICE  
DIMENSIONS: INCHES [METRIC]  
UNLESS OTHERWISE SPECIFIED TOLERANCES ARE ±.005 [0.13] ANGLES ARE ± 1°  
SHEET NO. 1 OF 1

|                                                                                                                                                                  |                                                 |                                           |
|------------------------------------------------------------------------------------------------------------------------------------------------------------------|-------------------------------------------------|-------------------------------------------|
| <br>11118 Susquehanna Trail South<br>Glen Rock, PA 17327-9199<br>(717) 235-7512<br><a href="http://www.stewartconnector.com">http://www.stewartconnector.com</a> | TITLE:<br><b>USB AM/AF WITH PANEL MOUNT 1FT</b> |                                           |
|                                                                                                                                                                  | DRN BY: GWL<br>APPD BY: BTS<br>DWG NO. CT999260 | DATE 07/14/21<br>DATE 07/19/21<br>REV. A2 |