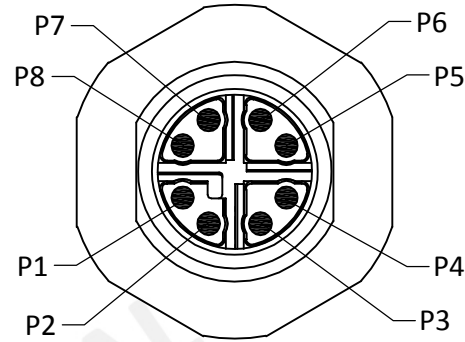
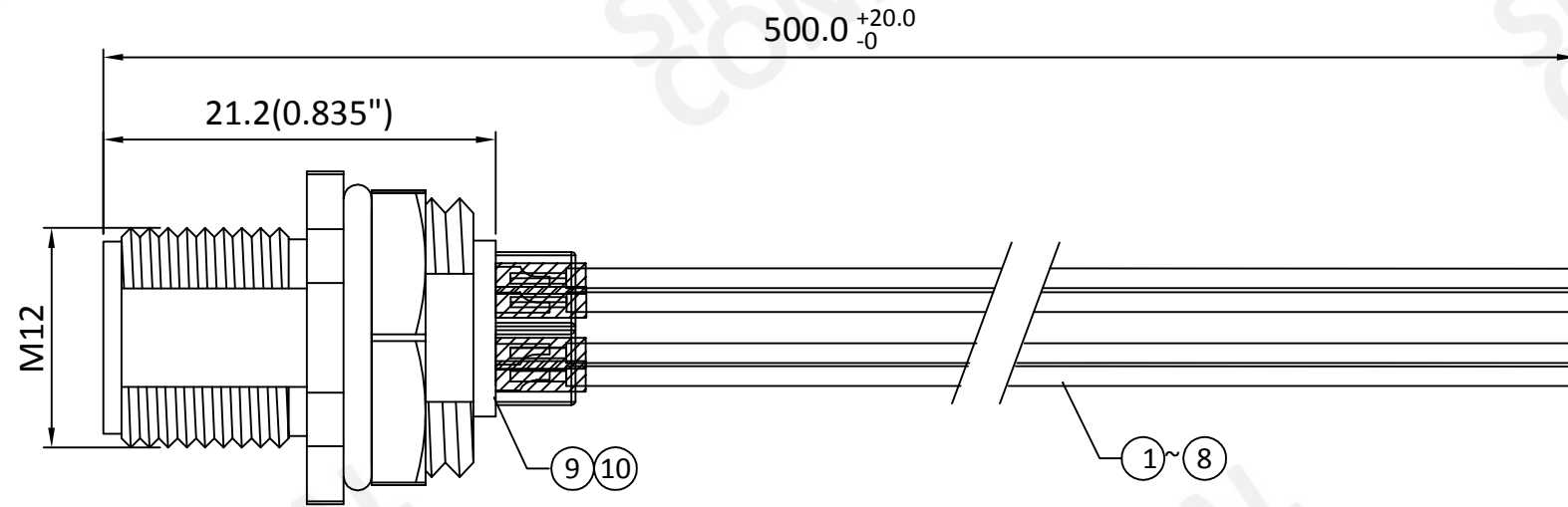


| REV. | ECN NO. | DATE        | BY      | DESCRIPTION |
|------|---------|-------------|---------|-------------|
| 01   |         | Sep/03/2020 | Aine Li | RELEASED    |



CONN 1



| WIRE RUN LIST |        |        |
|---------------|--------|--------|
| AWG           | CONN 1 | COLOR  |
| 24            | 1      | BROWN  |
|               | 2      | WHITE  |
|               | 3      | BLUE   |
|               | 4      | BLACK  |
|               | 5      | GRAY   |
|               | 6      | GREEN  |
|               | 7      | YELLOW |
|               | 8      | ORANGE |

| ITEM | QTY | DESCRIPTION  |
|------|-----|--|
| 10.  | A/R | HEAT SHRINK TUBE, UL224, 1Q, BLACK, ID=1.3, T=0.2 (A534000000SD) |
| 9.   | 1   | M12 CONN., X-CODE, MALE, 8P (A30140219001SD)                     |
| 8.   | A/R | HOOK-UP WIRE, UL1213 #24, WHITE, OD=0.98, PTFE (A10902921001SD)  |
| 7.   | A/R | HOOK-UP WIRE, UL1213 #24, BLACK, OD=0.98, PTFE (A10902920001SD)  |
| 6.   | A/R | HOOK-UP WIRE, UL1213 #24, GREEN, OD=0.98, PTFE (A10902916001SD)  |
| 5.   | A/R | HOOK-UP WIRE, UL1213 #24, YELLOW, OD=0.98, PTFE (A10902917001SD) |
| 4.   | A/R | HOOK-UP WIRE, UL1213 #24, ORANGE, OD=0.98, PTFE (A10902918001SD) |
| 3.   | A/R | HOOK-UP WIRE, UL1213 #24, BROWN, OD=0.98, PTFE (A10902919001SD)  |
| 2.   | A/R | HOOK-UP WIRE, UL1213 #24, GRAY, OD=0.98, PTFE (A10902913001SD)   |
| 1.   | A/R | HOOK-UP WIRE, UL1213 #24, BLUE, OD=0.98, PTFE (A10902912001SD)   |

NOTES:

- TESTING SPEC.:  
COND. RESISTANCE: 3Ω MAX.  
INSUL. RESISTANCE: 10MΩ MIN.  
TESTING VOLTAGE: 200V DC
- IP67 WHEN MATED.
- FOLLOW IPC620 CLASS II STANDARD TO ASSEMBLY AND INSPECTION.
- RoHS COMPLIANCE.

THIS DRAWING CONTAINS CONFIDENTIAL INFORMATION AND IS THE PROPERTY OF SINBON ELECTRONICS CO., LTD. IT MAY NOT BE USED OR ITS CONTENTS COPIED OR DISCLOSED TO A THIRD PARTY WITHOUT PRIOR WRITTEN CONSENT AND IS TO BE RETURNED PROMPTLY UPON REQUEST BY SINBON ELECTRONICS CO., LTD.

|  |  |                                    |  |  |  |
|--|--|------------------------------------|--|--|--|
| CUSTOMER :<br><b>DigiKey</b>           |  | REV. :<br>N/A                      |  | <br>SINBON Electronics Co., Ltd.                     |  |
| CUSTOMER P/N :<br>N/A                  |  | DRA. :<br>Aine Li<br>Sep/03/2020   |  |  |  |
| UNLESS OTHERWISE SPECIFIED TOLERANCE : |  | CHK. :<br>Kevin Qiu<br>Sep/03/2020 |  | DESCRIPTION :<br>8P male rear, X code IP67,<br>500mm |  |
| 1 ~ 10 : ±1                            |  | APR. :<br>Kevin Qiu<br>Sep/03/2020 |  | PART NUMBER :<br>M12X-08PM0-UL24N05                  |  |
| 11 ~ 30 : ±2                           |  | APR. :<br>Kevin Qiu<br>Sep/03/2020 |  | REV. :<br>01   |  |
| 31 ~ 50 : ±3                           |  | APR. :<br>Kevin Qiu<br>Sep/03/2020 |  | SIZE :<br>A3   |  |
| 51 ~ 200 : ±5                          |  | APR. :<br>Kevin Qiu<br>Sep/03/2020 |  | UNIT :<br>mm   |  |
| 201 ~ 400 : ±7                         |  | APR. :<br>Kevin Qiu<br>Sep/03/2020 |  | SCALE :<br>NONE                                      |  |
| > 401 : ±10                            |  | APR. :<br>Kevin Qiu<br>Sep/03/2020 |  | SHEET :<br>1 of 1                                    |  |
| ANGLES : ±1°                           |  | APR. :<br>Kevin Qiu<br>Sep/03/2020 |  | SHEET :<br>1 of 1                                    |  |