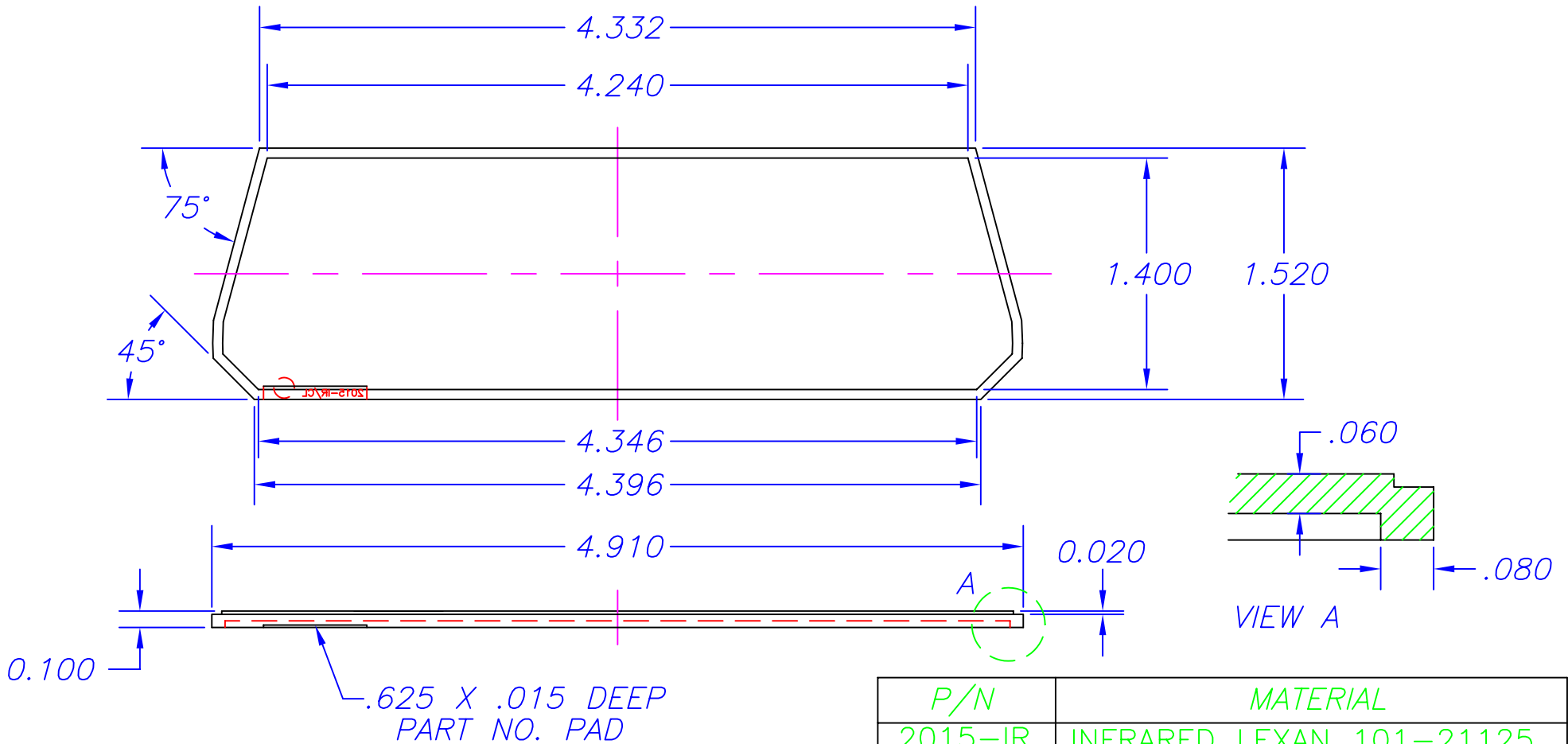


NO.	REVISION	DATE
N/A		5/96



P/N	MATERIAL
2015-IR	INFRARED LEXAN 101-21125
2015-CL	CLEAR TERLUX 2802TR(BASF)

TITLE				A-31 END PANEL IR/CL		DES.		D.CHAMBERS		6/93		P/N		2015,IR or CL			
TOLERANCE				MAT'L		DRWN.						SERPAC					
DECIMAL		FRAC.	ANG.	SHEET NO.	1	SCALE	1=1	CKD.									
.XX ±.010	.XXX ±.005	±1/64	±1/2°	NO. OF SHTS.	1	DWG NO.	A-31IRCL	APPR.									
														612 COMMERCIAL AVE., COVINA, CA. 91723 (818) 331-0517 FAX: (818) 331-8584			