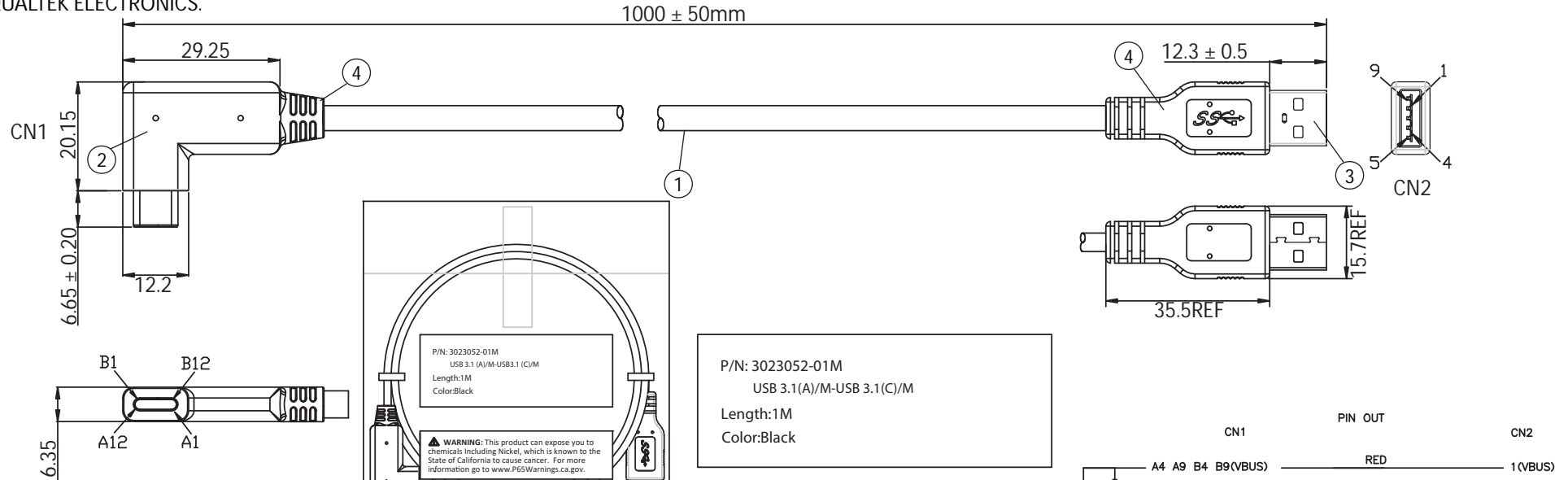


THESE DRAWINGS ARE THE PROPERTY OF QUALTEK ELECTRONICS AND NOT TO BE REPRODUCED FOR OR COMMUNICATED TO A THIRD PARTY WITHOUT THE EXPRESS WRITTEN PERMISSION OF AN OFFICER OF QUALTEK ELECTRONICS.

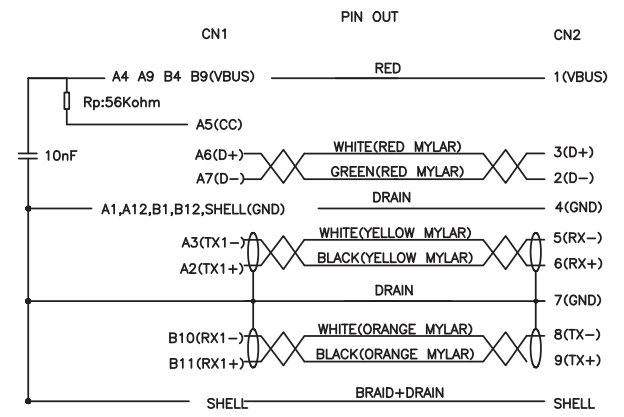
REVISION			
REV.	DESCRIPTION	DATE	APPROVED



NOTES:

- CABLE:  
(7/0.10TA\*1PR+EAM)x2+(7/0.09TA\*1PR+AM)+7/0.20TAx1C+AEB (80%)  
PVC OUTER JACKET: BLACK, OD: 4.5 ± 0.2mm
- CONNECTOR: USB 3.1 GEN 1 TYPE C MALE  
INSULATOR: BLACK PBT  
PIN G/F  
NICKEL PLATED SHELL
- CONNECTOR: USB 3.1 GEN 1 A TYPE MALE  
INSULATOR: BLUE PBT  
PIN G/F  
NICKEL PLATED SHELL
- PVC MOLDED: 45P COLOR BLACK
- ELECTRICAL TEST:  
<1>.100% OPEN SHORT & MISS WIRE TEST  
<2>.HI-POT: 50V AC/0.01 SEC 50V DC/0.01 SEC  
<3>.INSULATION RESISTANCE: 10M OHM (MIN)  
<4>.CONDUCTIVE RESISTANCE: 2 OHM (MAX)  
<5>.RESISTANCE DETECTION:Rp 56Kohm ± 10% BETWEEN A4 AND A5  
<6>.CAPACITANCE DETECTION: 10nF ± 20% BETWEEN A1 AND A4
- DATA TRANSFER RATE UP TO 5Gbps (NOMINAL)
- CURRENT RATING UP TO 3A (NOMINAL)
- VOLTAGE RATING UP TO 5V (NOMINAL)
- PACKING: 1PC/POLYBAG W/ LABEL

P/N: 3023052-01M  
USB 3.1(A)/M-USB 3.1(C)/M  
Length:1M  
Color:Black



**CONTROLLED**

Dim range (mm)	Tolerance +/- (mm)	Qualtek Electronics Corp. WCI DIVISION		
		Part Number: 3023052-01M	RoHS Compliant	
0-1	0.15	Description: USB 3.1(C)/M LEFT ANGLE - USB 3.1 (A)/M		
1-6	0.20	UNIT: mm		
6-18	0.30	Drawn / Date	Checked / Date	Approved / Date
18-50	0.50	R. Nuti	08-06-20	LY / 08-06-20
50-120	0.70			
120-250	0.90			
250-500	1.20			