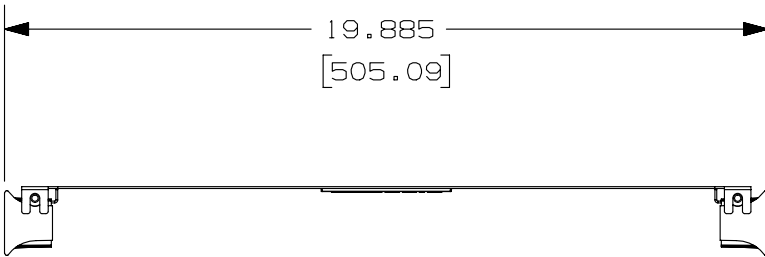
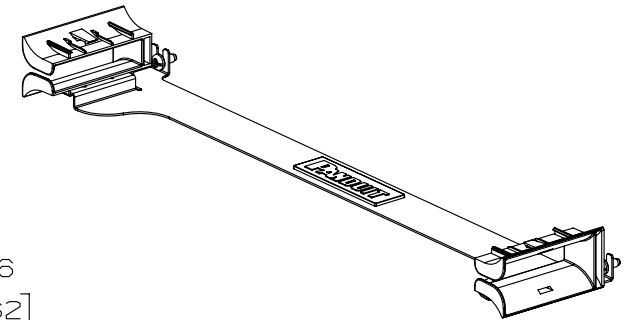
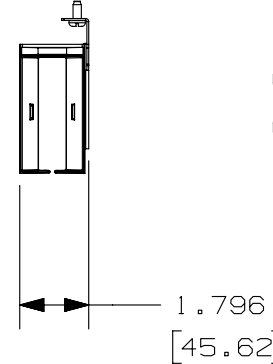
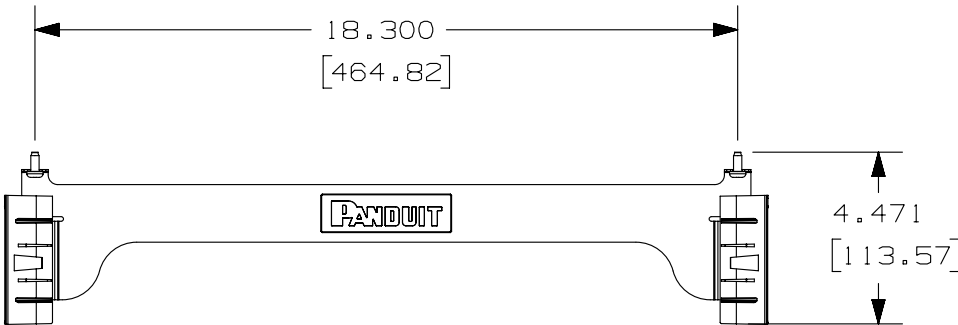


THIS COPY IS PROVIDED ON A RESTRICTED BASIS AND IS NOT TO BE USED IN ANY WAY DETRIMENTAL TO THE INTERESTS OF PANDUIT CORP.



PANDUIT P/N	WEIGHT
WMBZ	.66LB/EACH PC (300.0 g/EACH PC)

- NOTES:
- IDENTIFICATION: ZERO RACK UNIT
 - MATERIAL: 16 GA. STEEL.
 - DIMENSIONS IN PARENTHSIS ARE METRIC



REV	DATE	BY	CHK	APR	DESCRIPTION	ECN
04A	11-19-13	BAME	FGR	CMK	UPDATED VIEWS	10031-41
00A	10-5-01	ADP			DRAWING RELEASED	10031-41

TITLE ZERO RACK UNIT (WMBZ)					
CUSTOMER DRAWING					
ITEM REVISION NAME V10031AD/04			PANDUIT		
DATASET FILE NAME V10031AD_DC/04A					
UNLESS OTHERWISE SPECIFIED, DIMENSIONAL TOLERANCES ARE: IN (mm)			MATERIAL: SEE COMPONENTS FOR DETAILS		
.X ± .XX ±			.XXX ± ANGLES ±		
			THIRD ANGLE PROJECTION		
DRAWN BY ADP	DATE 10-5-01	CHK	SCALE 1:5	DRAWING NUMBER: 10031-41	
SHT 1 OF 1				SIZE A	

D10100DA/16