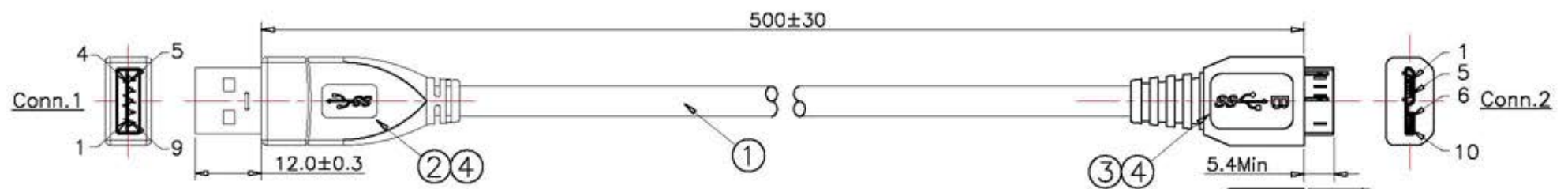
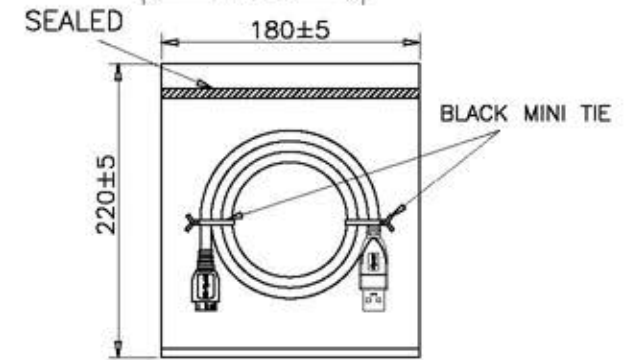
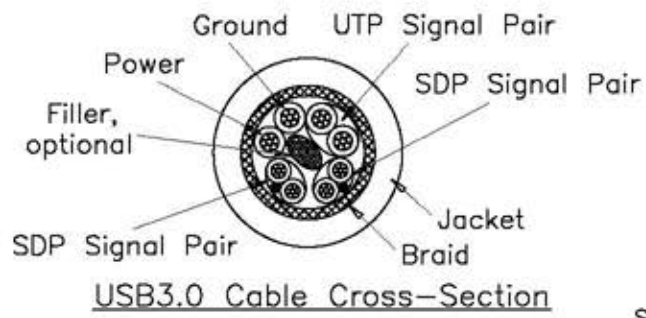


REVISION			
REV.	DESCRIPTION	APPROVAL	DATE
A			



Pin Assignment

Conn.1	Color	Conn.2	Signal Name
1	Red	1	PWR
2	White	2	UTP_D-
3	Green	3	UTP_D+
4	Black	5	GND_PWRrt
5	Blue	6	SDP1-
6	Yellow	7	SDP1+
7	Drain Wire	8	SDP1_Drain
7	Drain Wire	8	SDP2_Drain
8	Purple	9	SDP2-
9	Orange	10	SDP2+
Shell	Braid	Shell	Shield



NOTES: 1PCS/PE BAG/PACKING(T:0.06MM)

- THIS COMPONENT AND ITS HOMOGENEOUS SUBCOMPONENTS ARE ROHS COMPLIANT.
- ELECTRONIC TEST :  
100% OPEN SHORT & MISWIRE TEST.  
CONTACT RESISTANCE:5Ω/MAX.  
INSULATION RESISTANCE:10MΩ/MIN.AT DC 300V.

④	PVC	MOLDED 45 PVC	2PCS
③	CONN	USB3.0 MICRO-B MALE,SOLDER TYPE,INSULATOR BLACK,CONTACT	1PCS
②	CONN	USB 3.0 A MALE,SOLDER TYPE,INSULATOR BLUE,CONTACT	1PCS
①	CABLE	USB 3.0 UL20276 [(28AWG/1P+MY/AL+D)*2] +	1PCS
		28AWG*2C+28AWG/1P+AL+F+Braid	
		PVC JACKET: O.D:5.5±0.1mm.	
ITEM	NAME	DESCRIPTION	Q'TY

mm	TITLE	OYEN DIGITAL
SCALE NONE	USB3.0 A/M+USB3.0 MICRO-B/M	
SHEET 1/1	CUS. P/N	
UNLESS OTHERWISE NOTED	UMBA-05-NN	
XXX ±	ANGLES ±	ENG
REV. A	CUS. REV	CHECKED
		APPROVED
		DATE
		DATE