

PART NO.	A54000-051	REV	ECO	DATE	APP
		G	100650	06-17-14	TLM

### MATERIAL & SPECIFICATIONS

**HOUSING:**  
ALUMINIUM 6061-T6,  
NICKEL PLATE PER  
SAE-AMS-2404.

**INSULATOR:**  
THERMOPLASTIC PER  
MIL-DTL-32139.

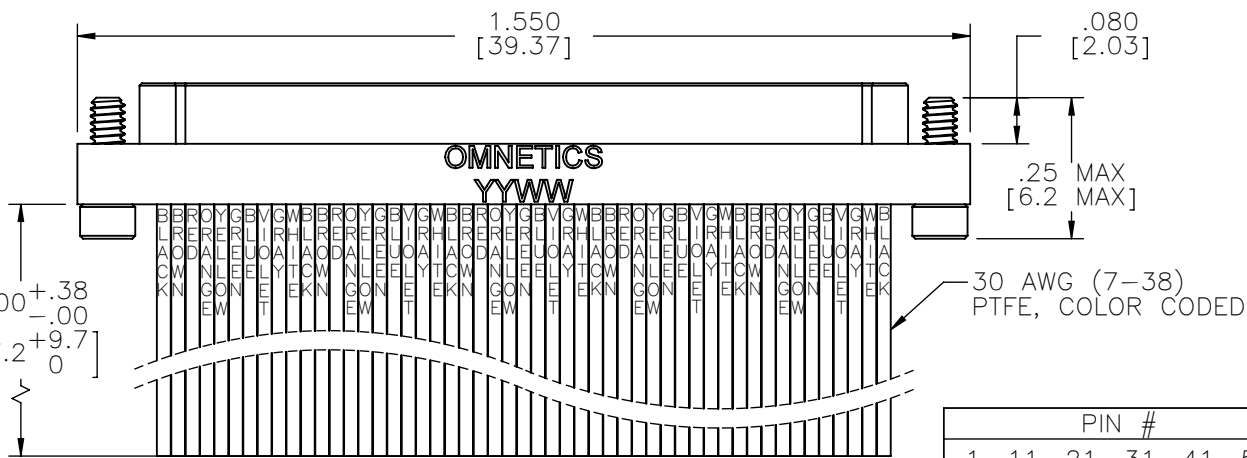
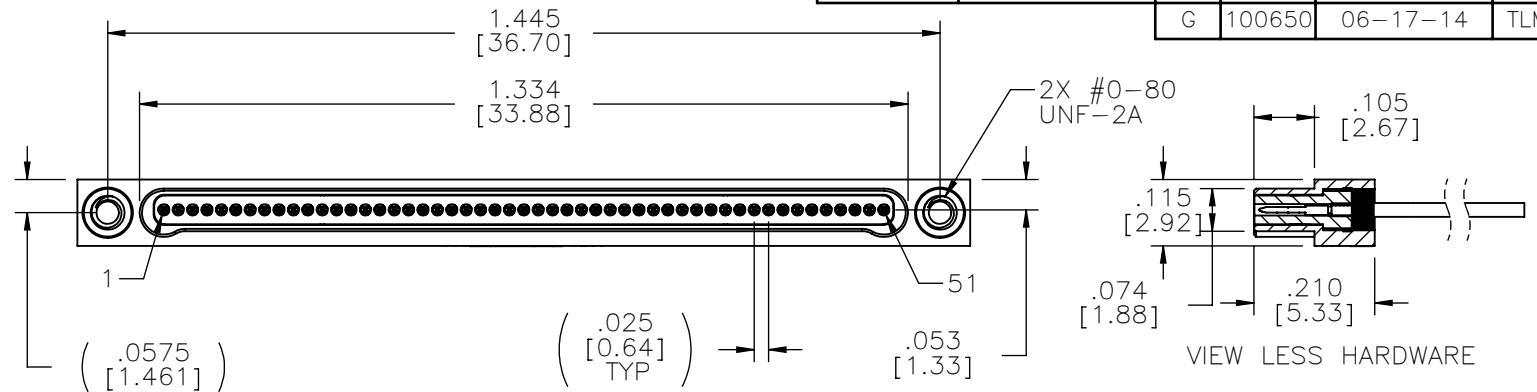
**CONTACT:**  
BERYLLIUM COPPER  
PER ASTM B194,  
C17200, GOLD PLATED  
PER ASTM B488,  
(HARD GOLD) TYPE II  
CODE C, CLASS 1.27.

**WIRE:**  
NEMA HP3 TYPE ET,  
COLOR CODED IAW  
MIL-STD-681, SYSTEM  
1, USING TEN SOLID  
REPEATING COLORS.

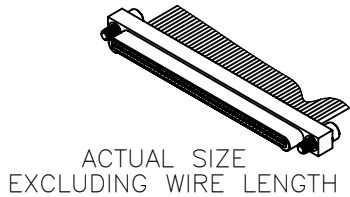
**HARDWARE:**  
303 STAINLESS STEEL  
PER ASTM 582.

**CURRENT RATING:**  
1 AMP MAX PER MIL-  
DTL-32139.

**PERFORMANCE:**  
PRODUCT FAMILY  
TESTED TO AND  
PASSED THE  
PERFORMANCE  
SPECIFICATIONS OF  
TABLE VIII OF MIL-  
DTL-32139.



PIN #	COLOR
1, 11, 21, 31, 41, 51	BLACK
2, 12, 22, 32, 42	BROWN
3, 13, 23, 33, 43	RED
4, 14, 24, 34, 44	ORANGE
5, 15, 25, 35, 45	YELLOW
6, 16, 26, 36, 46	GREEN
7, 17, 27, 37, 47	BLUE
8, 18, 28, 38, 48	VIOLET
9, 19, 29, 39, 49	GRAY
10, 20, 30, 40, 50	WHITE



**NOTE:**  
DIMENSIONS IN [ ] ARE IN  
MILLIMETERS UNLESS  
OTHERWISE NOTED AND ARE  
FOR REFERENCE ONLY

MBS CS MCS	THIRD ANGLE	THIS DRAWING CONTAINS CONFIDENTIAL AND PROPRIETARY INFORMATION WHICH IS THE PROPERTY OF OMNETICS CONNECTOR CORPORATION. THIS DOCUMENT MAY NOT, IN WHOLE OR IN PART, BE DUPLICATED, OR DISCLOSED FOR ANY PURPOSE, WITHOUT WRITTEN PERMISSION FROM OMNETICS CONNECTOR CORP.	
	-TOLERANCES-	DFTM. MJM	DATE 03-31-11
	UNLESS OTHERWISE NOTED	CHK'D.	DATE
	DIMENSIONS IN INCHES	APP'D.	DATE
	2 PL DEC ± .01	TITLE: (51) PIN MALE Bi-Lobe® CONNECTOR	
	3 PL DEC ± .005		
	4 PL DEC ± .0005		
	ANGLES ± 1°		

# OMNETICS

CONNECTOR CORPORATION

7260 COMMERCE CIRCLE EAST  
MINNEAPOLIS, MN 55432  
WWW.OMNETICS.COM

**CAGE CODE 61873**

DWG NO.  
**A54000-051**

SHEET 1 OF 1    REV  
SCALE: 3:1        G