

MATERIALS & SPECIFICATIONS

PART NO.	A22021-001	REV	ECO	DATE	APP
		C	96877	07-13-10	TLM

INSULATOR:

LIQUID CRYSTAL POLYMER (LCP) PER ASTM D5138.

CONTACT:

BERYLLIUM COPPER PER ASTM B194, C17200. GOLD PLATED PER ASTM B488, (HARD GOLD) TYPE II CODE C CLASS 1.27.

TERMINATION:

26 AWG (7-34) TYPE E, PER NEMA HP3, COLOR CODED PER TABLE.

LATCH SPRING:

BERYLLIUM COPPER PER ASTM B194 NICKEL PLATE PER AMS-C-26074.

CURRENT CAPACITY:

3 AMP MAX.

CONTACT RESISTANCE:

26 MILLIOHMS (65mV) MAX @ 2.5 AMPS.

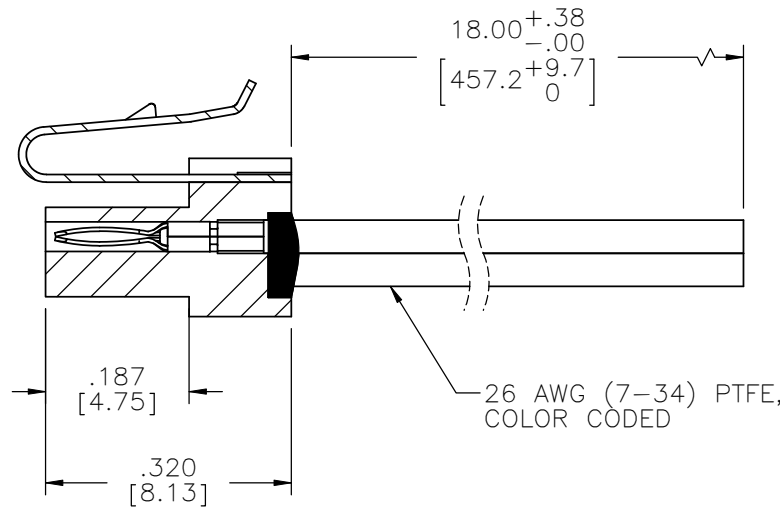
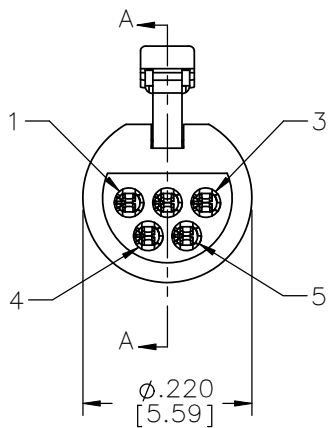
PERFORMANCE:

PRODUCT FAMILY TESTED TO AND PASSED THE PERFORMANCE SPECIFICATIONS OF TABLE VII OF MIL-DTL-83513.

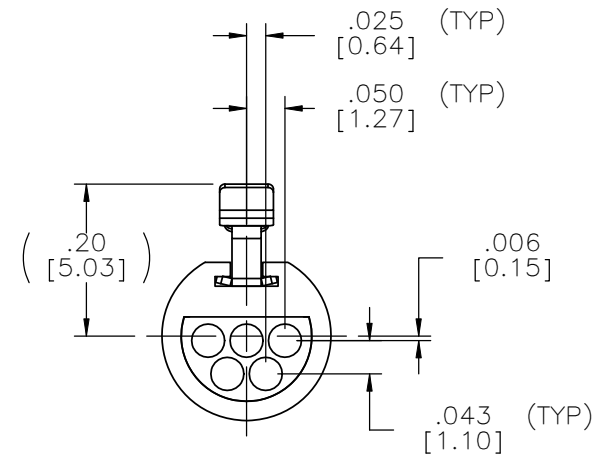
PIN #	COLOR
1	BLACK
2	BROWN
3	RED
4	ORANGE
5	YELLOW



ACTUAL SIZE EXCLUDING WIRE LENGTH



SECTION A-A



LOADING VIEW LESS EPOXY

REF: OMNETICS

INTERNAL USE ONLY
USE MFG LOADING
PROCEDURE MC-5P

MCP	THIRD ANGLE
	-TOLERANCES-
SLDW	UNLESS OTHERWISE NOTED
	DIMENSIONS IN INCHES
	2 PL DEC ± .01
	3 PL DEC ± .005
	4 PL DEC ± .0005
	ANGLES ± 1°

THIS DRAWING CONTAINS CONFIDENTIAL AND PROPRIETARY INFORMATION WHICH IS THE PROPERTY OF OMNETICS CONNECTOR CORP. THIS DOCUMENT MAY NOT, IN WHOLE OR IN PART, BE DUPLICATED, OR DISCLOSED FOR ANY PURPOSE, WITHOUT WRITTEN PERMISSION FROM OMNETICS CONNECTOR CORP.

DFTM. TEP	DATE	TITLE:
CHK'D.	DATE	(5) PIN MALE
APP'D.	DATE	MICRO CIRCULAR
		CONNECTOR W/ LATCH

OMNETICS
CONNECTOR CORPORATION
7260 COMMERCE CIRCLE EAST
MINNEAPOLIS, MN 55432
WWW.OMNETICS.COM

CAGE CODE 61873	
DWG NO. A22021-001	
SHEET 1 OF 1	REV C
SCALE: 4:1	