

**MATERIALS & SPECIFICATIONS**

PART NO.	A22020-001	REV	ECO	DATE	APP
		C	96877	07-13-10	TLM

**INSULATOR:**

LIQUID CRYSTAL POLYMER (LCP) PER ASTM D5138.

**CONTACT:**

COPPER ALLOY PER MIL-DTL-83513. GOLD PLATE PER ASTM B488, (HARD GOLD) TYPE II CODE C, CLASS 1.27

**TERMINATION:**

26 AWG (7-34) TYPE E PER NEMA HP3, COLOR CODED PER TABLE.

**LATCH BOX:**

BERYLLIUM COPPER PER ASTM B194 NICKEL PLATE PER AMS-C-26074.

**CURRENT CAPACITY:**

3 AMP MAX.

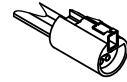
**CONTACT RESISTANCE:**

26 MILLIOHMS (65mV) MAX @ 2.5 AMPS.

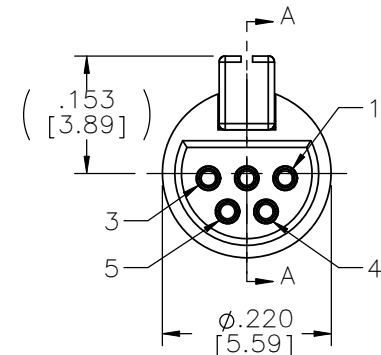
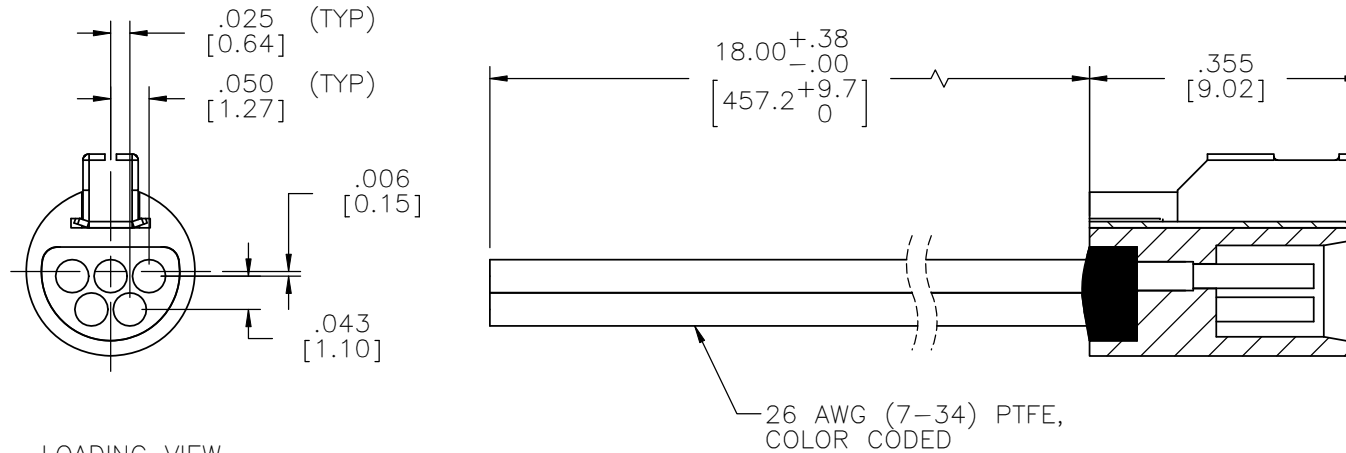
**PERFORMANCE:**

PRODUCT FAMILY TESTED TO AND PASSED THE PERFORMANCE SPECIFICATIONS OF TABLE VII OF MIL-DTL-83513.

SOCKET #	COLOR
1	BLACK
2	BROWN
3	RED
4	ORANGE
5	YELLOW



ACTUAL SIZE EXCLUDING WIRE LENGTH



LOADING VIEW  
LESS EPOXY

SECTION A-A

REF: OMNETICS

INTERNAL USE ONLY  
USE MFG LOADING  
PROCEDURE MC-5S

MCTS SCW MCTS	THIRD ANGLE	THIS DRAWING CONTAINS CONFIDENTIAL AND PROPRIETARY INFORMATION WHICH IS THE PROPERTY OF OMNETICS CONNECTOR CORP. THIS DOCUMENT MAY NOT, IN WHOLE OR IN PART, BE DUPLICATED, OR DISCLOSED FOR ANY PURPOSE, WITHOUT WRITTEN PERMISSION FROM OMNETICS CONNECTOR CORP.		<b>OMNETICS</b> CONNECTOR CORPORATION 7260 COMMERCE CIRCLE EAST MINNEAPOLIS, MN 55432 WWW.OMNETICS.COM	CAGE CODE <b>61873</b>	
	-TOLERANCES-	DFTM. TEP	DATE		DWG NO.	
	UNLESS OTHERWISE NOTED	05-15-07			<b>A22020-001</b>	
	DIMENSIONS IN INCHES	CHK'D.	DATE		SHEET 1 OF 1	
2 PL DEC ± .01	APP'D.	DATE	REV			
3 PL DEC ± .005			C			
4 PL DEC ± .0005			SCALE: 4:1			
ANGLES ± 1°						

TITLE:  
(5) SOCKET FEMALE  
MICRO CIRCULAR  
CONNECTOR W/ LATCH