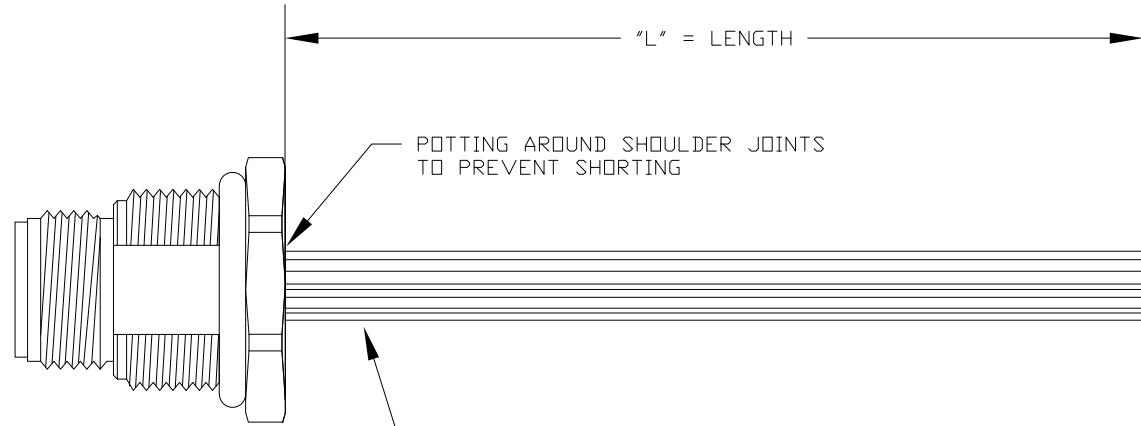
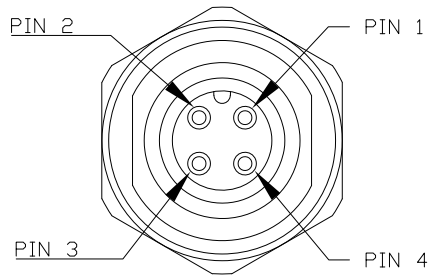


DESCRIPTION: M12 4 POSITION STAINLESS STEEL MALE PIGTAIL



CONNECTOR: 859S004-10SRRM4

24 AWG (7X32) HOOKUP WIRE, UL 1007
(COLORS AS STATED IN SCHEMATIC BELOW)

**SEE PAGE 2 FOR DETAILS

WIRING SCHEMATIC

1		2	
PIN		PIN	
1	= BROWN	1	= RED
2	= WHITE	2	= GREEN
3	= BLUE	3	= BLACK
4	= BLACK	4	= WHITE

MPM12A04IYYDR0Y
INCHES ———

01 = WIRING SCHEMATIC 1
02 = WIRING SCHEMATIC 2

LENGTH
EX: 06 = 6 INCHES
12 = 12 INCHES

NOTE: PACKAGED 10 PER BAG

RoHS COMPLIANT

UNITS IN INCHES [MM] DO NOT SCALE FROM DRAWING



THESE DRAWINGS AND SPECIFICATIONS ARE THE PROPERTY OF NorComp AND SHALL NOT BE REPRODUCED, COPIED OR USED AS THE BASIS FOR THE MANUFACTURE OR SALE OF APPARATUS WITHOUT WRITTEN PERMISSION.

DRAWN:
G. BROWN
DATE:
01/23/2019

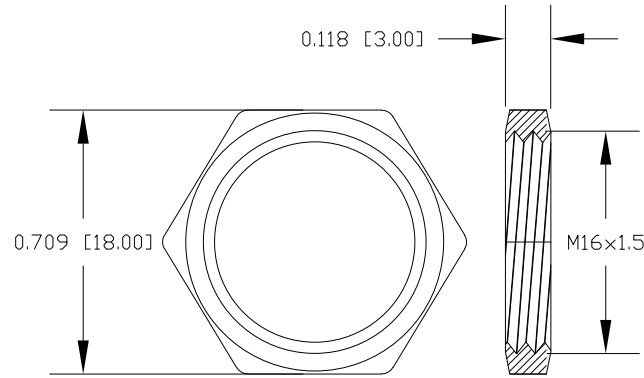
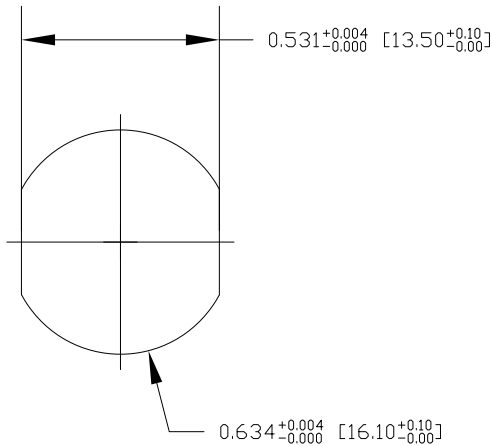
NorComp

SCALE: NTS	SHEET 1	OF 2	REV 2
DWG NO. MPM12A04IYYDR0Y			

DESCRIPTION: M12 4 POSITION STAINLESS STEEL MALE PIGTAIL

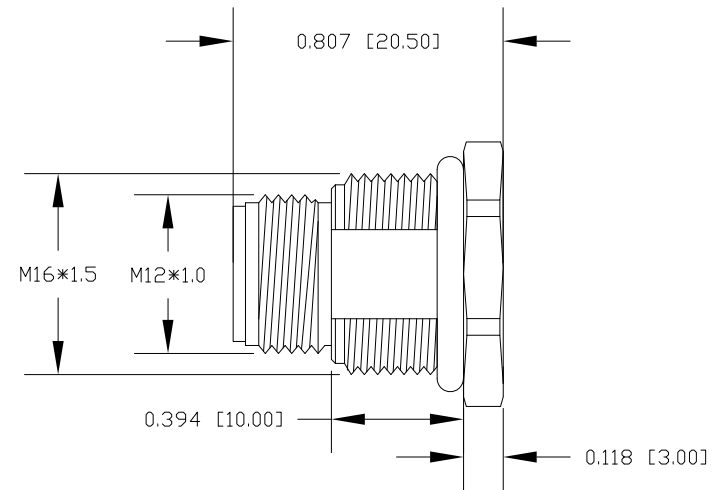
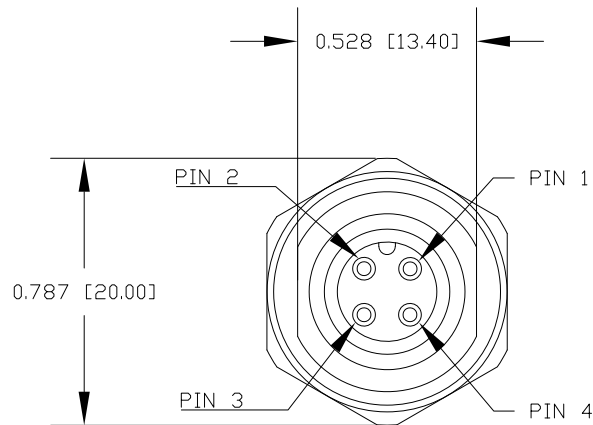
NOTE:

MATERIAL
 HOUSING: PBT UL94V-0, BLACK
 CONTACT: BRASS
 NUT: STAINLESS STEEL 316
 SHELL: STAINLESS STEEL 316
 O-RING: EPDM, BLACK
 FINISH
 CONTACT: GOLD PLATED 10μ" Min.
 UNDER PLATE: NICKEL
 ELECTRICAL
 RATED CURRENT: 4A
 RATED VOLTAGE: 250V
 INSULATION RESISTANCE: 100MΩ MIN
 CONTACT RESISTANCE: 10mΩ MAX
 WATER PROOF: IP67/68
 ENVIRONMENT
 OPERATION TEMPERATURE: -40°C ~ +85°C



NUT

RECOMMENDED PANEL CUT-OUT



RoHS COMPLIANT

UNITS IN INCHES [MM] DO NOT SCALE FROM DRAWING



THESE DRAWINGS AND SPECIFICATIONS ARE THE PROPERTY OF NorComp AND SHALL NOT BE REPRODUCED, COPIED OR USED AS THE BASIS FOR THE MANUFACTURE OR SALE OF APPARATUS WITHOUT WRITTEN PERMISSION.

DRAWN:
G. BROWN
 DATE:
 01/23/2019

NorComp

SCALE: NTS	SHEET 2	OF 2	REV 2
DWG NO.		MPM12A04IYYDR0Y	