

\*\*SEE PAGE 2 FOR DETAILS

WIRING SCHEMATIC

1	2
PIN	PIN
1 = BROWN	1 = RED
2 = WHITE	2 = GREEN
3 = BLUE	3 = BLACK
4 = BLACK	4 = WHITE

FPM12A04IYYBR0Y

INCHES ———

01 = WIRING SCHEMATIC 1  
 02 = WIRING SCHEMATIC 2

LENGTH  
 EX: 06 = 6 INCHES  
 12 = 12 INCHES

NOTE: PACKAGED 10 PER BAG

**RoHS COMPLIANT**

UNITS IN INCHES [MM] DO NOT SCALE FROM DRAWING



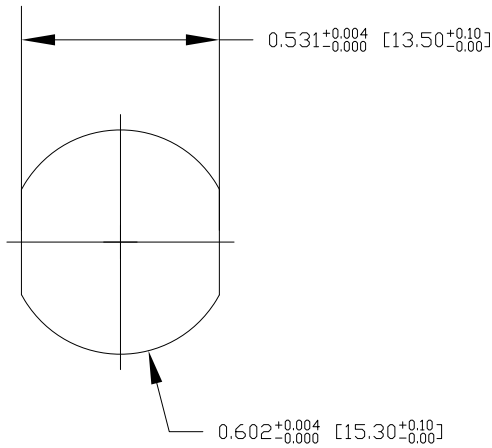
THESE DRAWINGS AND SPECIFICATIONS ARE THE PROPERTY OF NorComp AND SHALL NOT BE REPRODUCED, COPIED OR USED AS THE BASIS FOR THE MANUFACTURE OR SALE OF APPARATUS WITHOUT WRITTEN PERMISSION.

DRAWN:  
**G. BROWN**  
 DATE:  
 01/23/2019

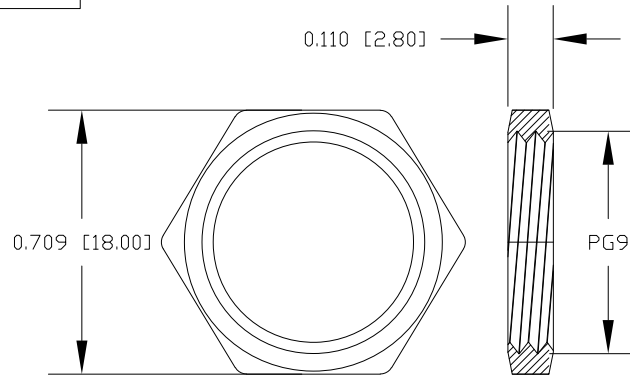
**NorComp**

SCALE: NTS	SHEET OF 1 OF 2	REV 2
DWG NO. FPM12A04IYYBR0Y		

DESCRIPTION: M12 4 POSITION STAINLESS STEEL FEMALE PIGTAIL



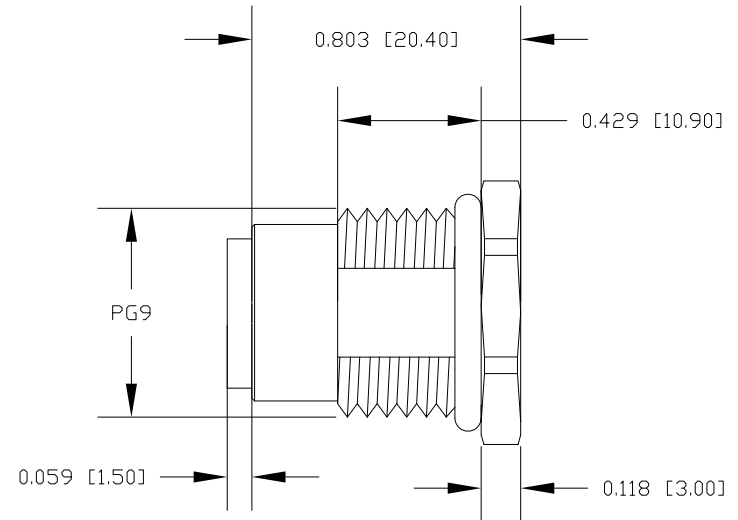
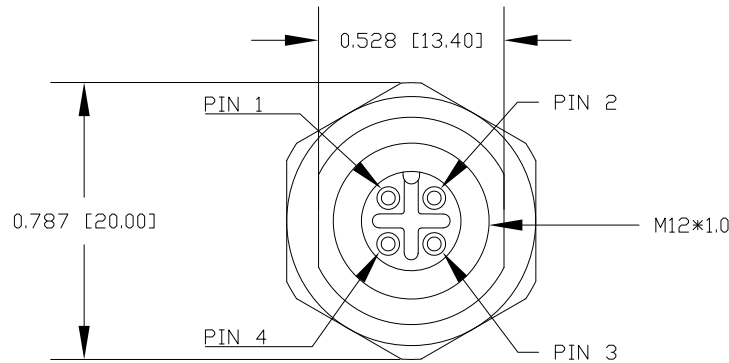
RECOMMENDED PANEL CUT-OUT



NUT

NOTE:

MATERIAL	PBT UL94V-0, BLACK
HOUSING:	BRASS
CONTACT:	STAINLESS STEEL 316
NUT:	STAINLESS STEEL 316
SHELL:	EPDM, BLACK
O-RING:	
FINISH	
CONTACT:	GOLD PLATED 10μ" Min.
UNDER PLATE:	NICKEL
ELECTRICAL	
RATED CURRENT:	4A
RATED VOLTAGE:	250V
INSULATION RESISTANCE:	100MΩ MIN
CONTACT RESISTANCE:	10mΩ MAX
WATER PROOF:	IP67/68
ENVIRONMENT	
OPERATION TEMPERATURE:	-40°C ~ +85°C



RoHS COMPLIANT

UNITS IN INCHES [MM] DO NOT SCALE FROM DRAWING



THESE DRAWINGS AND SPECIFICATIONS ARE THE PROPERTY OF NorComp AND SHALL NOT BE REPRODUCED, COPIED OR USED AS THE BASIS FOR THE MANUFACTURE OR SALE OF APPARATUS WITHOUT WRITTEN PERMISSION.

DRAWN:  
**G. BROWN**  
DATE:  
01/23/2019

NorComp

SCALE: NTS	SHEET 2	OF 2	REV 2
DWG NO.		FPM12A04IYYBR0Y	