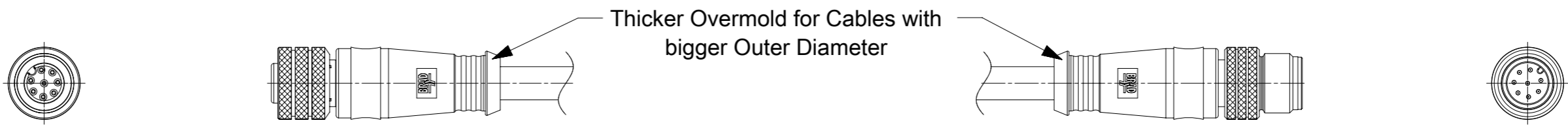
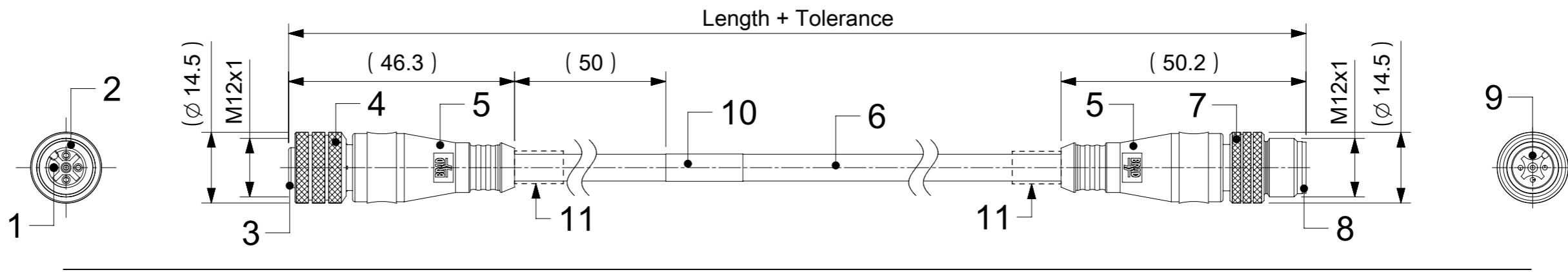


# FEMALE PLUG M12 STRAIGHT TO MALE PLUG M12 STRAIGHT



**NOTES:**

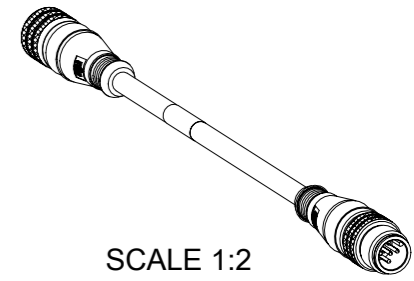
RATED VOLTAGE: 3, 4 contacts 250V per IEC 60664  
 5 contacts 60V per IEC 60664  
 5 contacts 250V per UL 2238  
 8 contacts 30V per IEC 60664

RATED CURRENT: 3, 4, 5 contacts 4A  
 8 contacts 2A

PROTECTION CLASS: IP 67  
 TEMPERATURE: -25°C / +85°C  
 CONTACTS POSITION FRONT VIEW:

	3 CONTACTS		4 CONTACTS		5 CONTACTS		8 CONTACTS	
FEMALE								
MALE								
CONNECTIONS	PIN	WIRE	PIN	WIRE	PIN	WIRE	PIN	WIRE
	1	BROWN	1	BROWN	1	BROWN	1	WHITE
	2	---	2	WHITE	2	WHITE	2	BROWN
	3	BLUE	3	BLUE	3	BLUE	3	GREEN
	4	BLACK	4	BLACK	4	BLACK	4	YELLOW
	5	---	5	---	5	GREY OR GREEN/YELLOW	5	GREY
							6	PINK
							7	BLUE
						8	RED	

CODING REQUIRED TO IEC 61076-2-101



FOR OPTIONS SEE - NUMERICAL CODE - ON SHEET 2

ITEM	QTY.	DESCRIPTION	MATERIAL	FINISH
11	SEE SHEET 2	ID CARRIER	PVC	TRANSPARENT
10	1	LABEL YELLOW	VINYL	---
	-	PRINTING FOR CABLES Ixx	---	---
9	3 / 4 / 5 / 8	CONTACT MALE	SEE PART LIST	SELECTIVE Au OVER Ni
8	1	INSERT MALE BLACK	TPU	---
7	1	COUPLING NUT MALE	---	---
6	-	CABLE	SEE SHEET 2	---
5	-	OVERMOLDING BLACK	TPU	---
4	1	COUPLING NUT FEMALE	---	---
3	1	INSERT FEMALE BLACK	PUR	---
2	1	ORING RED	FPM	---
1	3 / 4 / 5 / 8	CONTACT FEMALE	SEE PART LIST	SELECTIVE Au OVER Ni

THIS DRAWING CONTAINS INFORMATION THAT IS PROPRIETARY TO MOLEX ELECTRONIC TECHNOLOGIES, LLC AND SHOULD NOT BE USED WITHOUT WRITTEN PERMISSION

DIMENSION UNITS	SCALE	CURRENT REV	DESC:	OBSOLETE PART NUMBERS
mm	1:1	AS PER PCN#506884		
GENERAL TOLERANCES (UNLESS SPECIFIED)				
ANGULAR TOL	± 1.0°			
4 PLACES	±	EC NO: 662770		
3 PLACES	±	DRWN: SUGEEB	2021/02/23	
2 PLACES	± 0.05	CHK'D: GGA	2021/06/02	
1 PLACE	± 0.3	APPR: GGA	2021/06/02	
0 PLACES	± 0.5	INITIAL REVISION:		
DRAFT WHERE APPLICABLE MUST REMAIN WITHIN DIMENSIONS		DRWN: JMARSZALEK	2016/09/19	
THIRD ANGLE PROJECTION		APPR: RSILLER	2016/12/08	
DRAWING		SERIES	MATERIAL NUMBER	CUSTOMER
A3-SIZE		120066	SEE TABLE	GENERAL MARKET
DOCUMENT NUMBER		DOC TYPE	DOC PART	REVISION
1200668165		PSD	000	A4
SHEET NUMBER		1 OF 5		

# ENGINEERING NO. - NUMERICAL CODE (Available parts see PART LIST table. Other parts available upon request).

## OPTIONS

8 8 X 0 3 0 X X X X X X X X

88=Micro-Change  
M12x1  
Double ended

Contacts:  
3=3 Contacts  
4=4 Contacts  
5=5 Contacts  
8=8 Contacts

Heads style:  
030=Plug Female Straight  
to Plug Male Straight

Cable type: See Table

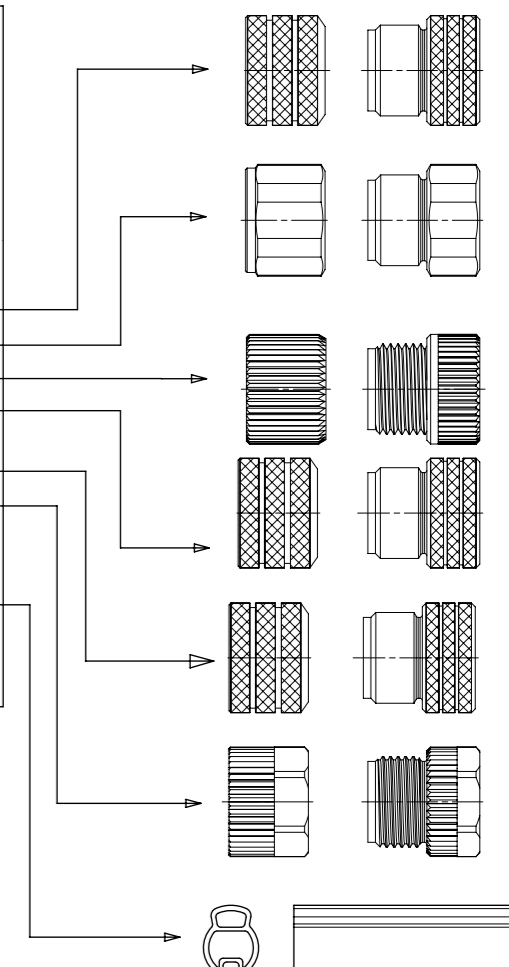
Units:  
M=Meter

Length  
Examples:  
005=0.5 unit  
010=1 unit  
100=10 units

Coupling Nut:  
Blank (Standard)=Knurled Brass Ni Plated  
1=Hexagonal Stainless steel  
5=Knurled Derlin  
7=Knurled Brass Ni Plated, Teflon Coated  
Blank=7 for cables I20, I26, K03, K05, P82, S26  
8=Type 316 stainless steel  
9=Knurled / Hexagonal Brass Ni Plated SW13  
  
H= 2 pcs. of I/D Carrier PVC Transparent  
(Cables Ixx & P82 always with 2 pcs. of I/D Carrier even if no H in Engineering No.)

Overmold color:  
Blank (Standard)=Black TPU  
Blank=Yellow PVC for cables  
A09, S19, S20, S26  
Blank=Yellow TPE-E for cables  
K03, K05  
A=Grey / G=Black / Y=Yellow

COUPLING NUT  
FEMALE MALE


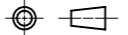


CABLE LENGTH TOLERANCES		
OVER [mm]	UP TO AND INCLUDING [mm]	TOLERANCES [mm]
0	305	+19
305	915	+45
915	1830	+56
1830	3660	+89
3660	7320	+165
7320	14640	+317
14640	30500	+610
30500	>	+2% OF FINISHED LENGTH

THIS DRAWING CONTAINS INFORMATION THAT IS PROPRIETARY TO MOLEX ELECTRONIC TECHNOLOGIES, LLC AND SHOULD NOT BE USED WITHOUT WRITTEN PERMISSION									
DIMENSION UNITS	SCALE	CURRENT REV DESC: OBSOLETE PART NUMBERS AS PER PCN#506884							
mm	1:1								
GENERAL TOLERANCES (UNLESS SPECIFIED)									
ANGULAR TOL	± 1.0 °	CSE M12 XP AC FE STR MA STR XM DE							
4 PLACES	±	PRODUCT CUSTOMER DRAWING							
3 PLACES	±	DOCUMENT NUMBER							
2 PLACES	± 0.05	1200668165							
1 PLACE	± 0.3	DOC TYPE DOC PART REVISION							
0 PLACES	± 0.5	PSD 000 A4							
DRAFT WHERE APPLICABLE MUST REMAIN WITHIN DIMENSIONS		THIRD ANGLE PROJECTION	DRAWING	SERIES	MATERIAL NUMBER	CUSTOMER		SHEET NUMBER	
			A3-SIZE	120066	SEE TABLE	GENERAL MARKET		2 OF 5	

# CABLE INFORMATION (for more information see Cable Data Sheet).

CABLE TYPE	NO. OF WIRES	CROSS SECTION	CABLE JACKET	UL	CSA	STATIC: TEMP. / BENDING RADIUS	DYNAMIC: TEMP. / BENDING RADIUS	DRAG CHAIN	SHIELD
A09	4	22AWG	PVC YELLOW	UL 2661	I/II A/B 80°C/300V	-	-	-	-
B02	4	18AWG	PUR YELLOW	UL 20549	I/II A/B 80°C/300V	-	-	-	-
E52	3 / 4	0.34mm <sup>2</sup>	PVC GREY	-	-	-30°C to +70°C	-5°C to +70°C	-	-
E57	5	0.34mm <sup>2</sup>	PVC GREY	-	-	-	-5°C to +70°C	-	-
I02	3 / 4 / 8	0.25mm <sup>2</sup>	PVC CEI GREY	-	-	-30°C to +70°C	-5°C to +70°C	-	-
I03	3 / 4 / 5	0.34mm <sup>2</sup>	PVC CEI GREY	-	-	-30°C to +70°C	-5°C to +70°C	-	-
I20	3 / 4	0.34mm <sup>2</sup>	PVC CEI GREY	-	-	-30°C to +70°C	-5°C to +70°C	-	YES
I26	5	0.34mm <sup>2</sup>	PVC CEI GREY	-	-	-30°C to +70°C	-5°C to +70°C	-	YES
K03	4 / 5	18AWG	TPE YELLOW	UL ITC or PLC	I/II A/B 90°C/300V	max 105°C	-	-	-
K05	3 / 4 / 5	22AWG	TPE YELLOW	UL ITC or PLTC	I/II A/B 90°C/300V	max 105°C	-	-	-
P04	4	0.50mm <sup>2</sup>	PUR BLACK	-	-	-40°C to +90°C, >7.5xO.D.	-15°C to +90°C, >12.5xO.D.	-	-
P19	8	0.25mm <sup>2</sup>	PUR BLACK	-	-	-40°C to +90°C, >7.5xO.D.	-15°C to +90°C, >12.5xO.D.	2 000 000 cycles, >15xO.D.	YES
P20	3 / 4 / 5	0.34mm <sup>2</sup>	PUR BLACK LS0H	-	-	-30°C to +80°C	-	-	YES
P82	3 / 4 / 5	0.34mm <sup>2</sup>	PUR IRR ORANGE	-	-	-50°C to +105°C, >5xO.D.	-40°C to +105°C, >7.5xO.D.	-	-
S19	8	0.25mm <sup>2</sup>	PVC YELLOW	UL 2661/1569	C22.2 II A 105°C/300V	-30°C to +105°C, >10xO.D.	-15°C to +105°C, >15xO.D.	-	YES
S20	3 / 4 / 5	0.34mm <sup>2</sup>	PVC YELLOW	UL 2661/1731	C22.2 II A 105°C/300V	-30°C to +105°C	-	-	YES
S26	5	0.34mm <sup>2</sup>	PVC YELLOW	UL 2661/1731	C22.2 II A 105°C/300V	-30°C to +105°C	-	-	YES

THIS DRAWING CONTAINS INFORMATION THAT IS PROPRIETARY TO MOLEX ELECTRONIC TECHNOLOGIES, LLC AND SHOULD NOT BE USED WITHOUT WRITTEN PERMISSION										
DIMENSION UNITS	SCALE	CURRENT REV DESC: OBSOLETE PART NUMBERS AS PER PCN#506884								
mm	1:1									
GENERAL TOLERANCES (UNLESS SPECIFIED)										
ANGULAR TOL	± 1.0 °	EC NO: 662770 DRWN: SUGEEB 2021/02/23 CHK'D: GGA 2021/06/02 APPR: GGA 2021/06/02								
4 PLACES	±									
3 PLACES	±	PRODUCT CUSTOMER DRAWING								
2 PLACES	± 0.05									
1 PLACE	± 0.3	INITIAL REVISION: DRWN: JMARSZALEK 2016/09/19 APPR: RSILLER 2016/12/08								
0 PLACES	± 0.5									
DRAFT WHERE APPLICABLE MUST REMAIN WITHIN DIMENSIONS		THIRD ANGLE PROJECTION	DRAWING	SERIES	MATERIAL NUMBER	CUSTOMER	DOCUMENT NUMBER	DOC TYPE	DOC PART	REVISION
			A3-SIZE	120066	SEE TABLE	GENERAL MARKET	1200668165	PSD	000	A4
										SHEET NUMBER 3 OF 5


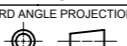
# PART LIST

No.	Part No.	Engineering No.	Cable Length
1	1200070023	884030S20M060H	6m
2	1200070095	883030I03M003	0.3m
3	1200070096	883030I03M006	0.6m
4	1200070097	883030I03M010	1m
5	1200070098	883030I03M020	2m
6	1200070099	883030I03M030	3m
7	1200070100	883030I03M050	5m
8	1200070101	883030I03M100	10m
9	1200070110	883030S20M010	1m
10	1200070111	883030S20M020	2m
11	1200070480	884030I03M010	1m
12	1200070481	884030I03M020	2m
13	1200070483	884030I03M050	5m
14	1200070484	884030I03M060	6m
15	1200070485	884030I03M100	10m
16	1200070494	884030P82M0057	0.5m
17	1200070499	884030S20M020	2m
18	1200070500	884030S20M030	3m
19	1200070502	884030S20M050	5m
20	1200070504	884030S20M100	10m
21	1200070597	885030S26M010	1m
22	1200070653	884030E52M200A	20m
23	1200070774	884030I03M006	0.6m
24	1200070785	884030I03M030	3m
25	1200070798	884030P82M010	1m
26	1200070799	884030P82M020	2m
27	1200070867	884030E52M100A	10m
28	1200070890	885030I26M010	1m
29	1200070891	885030I26M020	2m
30	1200070892	885030I26M030	3m
31	1200070937	884030P82M100	10m
32	1200070956	883030E52M020A	2m
33	1200070961	885030I03M030	3m
34	1200071026	884030E52M010A	1m
35	1200071035	884030S20M010H	1m
36	1200071066	884030P82M0067	0.6m
37	1200071067	884030P82M0037	0.3m
38	1200071068	884030P82M0107	1m
39	1200071069	884030P82M0157	1.5m
40	1200071088	884030P82M0207	2m
41	1200071137	884030S20M030H	3m
42	1200071141	884030S20M020H	2m
43	1200071161	884030S20M100H	10m
44	1200071162	884030P82M006	0.6m
45	1200071178	884030S20M006H	0.6m
46	1200071188	884030S20M050H	5m
47	1200071237	884030S20M005H	0.5m

No.	Part No.	Engineering No.	Cable Length
48	1200071238	884030S20M015H	1.5m
49	1200071254	884030P82M050	5m
50	1200071264	884030S20M040H	4m
51	1200071272	884030S20M005	0.5m
52	1200071279	885030I26M050	5m
53	1200071338	884030I20M030	3m
54	1200071343	883030E52M003A	0.3m
55	1200071428	884030P82M0407	4m
56	1200071501	884030P82M003	0.3m
57	1200071580	884030P82M030	3m
58	1200071582	884030P82M015	1.5m
59	1200071624	884030E52M030A	3m
60	1200071627	884030I03M0205	2m
61	1200071647	884030P82M0307	3m
62	1200072106	885030I26M005	0.5m
63	1200072359	885030I26M015	1.5m
64	1200072601	884030P82M0201	2m
65	1200660271	884030A09M020	2m
66	1200660273	884030A09M0208	2m
67	1200660277	884030A09M030	3m
68	1200660286	884030A09M0508	5m
69	1200660291	884030A09M070	7m
70	1200660683	884030K05M003	0.3m
71	1200660684	884030K05M005	0.5m
72	1200660686	884030K05M006	0.6m
73	1200660687	884030K05M010	1m
74	1200660688	884030K05M015	1.5m
75	1200660689	884030K05M020	2m
76	1200660690	884030K05M030	3m
77	1200660691	884030K05M040	4m
78	1200660692	884030K05M050	5m
79	1200660693	884030K05M060	6m
80	1200660694	884030K05M080	8m
81	1200660695	884030K05M100	10m
82	1200660696	884030K05M120	12m
83	1200660697	884030K05M150	15m
84	1200660698	884030K05M180	18m
85	1200660699	884030K05M230	23m
86	1200660700	884030K05M300	30m
87	1200660857	884030B02M020	2m
88	1200660860	884030B02M030	3m
89	1200660862	884030B02M050	5m
90	1200660867	884030B02M100	10m
91	1200660878	884030K03M003	0.3m
92	1200660880	884030K03M006	0.6m
93	1200660881	884030K03M010	1m
94	1200660883	884030K03M020	2m

No.	Part No.	Engineering No.	Cable Length
95	1200660887	884030K03M030	3m
96	1200660891	884030K03M040	4m
97	1200660895	884030K03M050	5m
98	1200660898	884030K03M060	6m
99	1200660899	884030K03M070	7m
100	1200660900	884030K03M080	8m
101	1200660901	884030K03M090	9m
102	1200660902	884030K03M100	10m
103	1200660904	884030K03M120	12m
104	1200660905	884030K03M140	14m
105	1200660906	884030K03M150	15m
106	1200660907	884030K03M160	16m
107	1200660909	884030K03M200	20m
108	1200660911	884030K03M250	25m
109	1200660915	884030K05M070	7m
110	1200660918	884030K05M140	14m
111	1200660921	884030K05M200	20m
112	1200660922	884030K05M210	21m
113	1200661034	885030K03M010	1m
114	1200661035	885030K03M020	2m
115	1200661036	885030K03M030	3m
116	1200661038	885030K03M050	5m
117	1200661042	885030K03M090	9m
118	1200661043	885030K03M100	10m
119	1200661044	885030K03M150	15m
120	1200661434	884030E52M020A	2m
121	1200661438	884030K05M250	25m
122	1200661441	884030K05M190	19m
123	1200661472	884030E52M050A	5m
124	1200661543	884030K03M180	18m
125	1200661574	888030S19M120	12m
126	1200661575	888030S19M030	3m
127	1200661576	888030S19M050	5m
128	1200661577	888030S19M100	10m
129	1200661664	885030K03M005	0.5m
130	1200661685	885030K03M120	12m
131	1200661906	884030K03M500	50m
132	1200665012	885030P82M0307	3m

No.	Part No.	Engineering No.	Cable Length
133	1200665368	884030K05M280	28m
134	1200668001	884030K03M110	11m
135	1200668003	884030K03M005	0.5m
136	1200668004	884030K03M240	24m
137	1200668067	884030P82M0507	5m
138	1200668068	884030S20M010	1m
139	1200668082	885030I26M006	0.6m
140	1200668090	885030S26M020H	2m
141	1200668098	888030P19M010	1m
142	1200668099	888030P19M050	5m
143	1200668165	885030I03M100	10m
144	1200668172	883030S20M050	5m
145	1200668187	884030P82M050H	5m
146	1200668252	888030P19M030	3m
147	1200668281	885030I26M025	2.5m
148	1200668310	883030S20M005	0.5m
149	1200668349	884030P82M0101	1m
150	1200668371	883030I03M040	4m
151	1200668372	884030I03M040	4m
152	1200668505	884030P20M010	1m
153	1200668506	884030P20M020	2m
154	1200668507	884030P20M050	5m
155	1200668508	884030P20M100	10m
156	1200668517	884030P82M1007	10m
157	1200668615	884030K05M050H	5m
158	1200668616	884030K05M100H	10m
159	1200668632	883030I03M020Y	2m
160	1200668633	883030I03M030Y	3m
161	1200668634	883030I03M050Y	5m
162	1200668637	884030I03M020Y	2m
163	1200668638	884030I03M100Y	10m
164	1200668639	885030I26M010Y	1m
165	1200668640	885030I26M020Y	2m
166	1200668641	885030I26M030Y	3m
167	1200668642	885030I03M030Y	3m
168	1200668643	884030P82M0067Y	0.6m
169	1200668644	884030P82M0107Y	1m
170	1200668645	884030P82M0207Y	2m

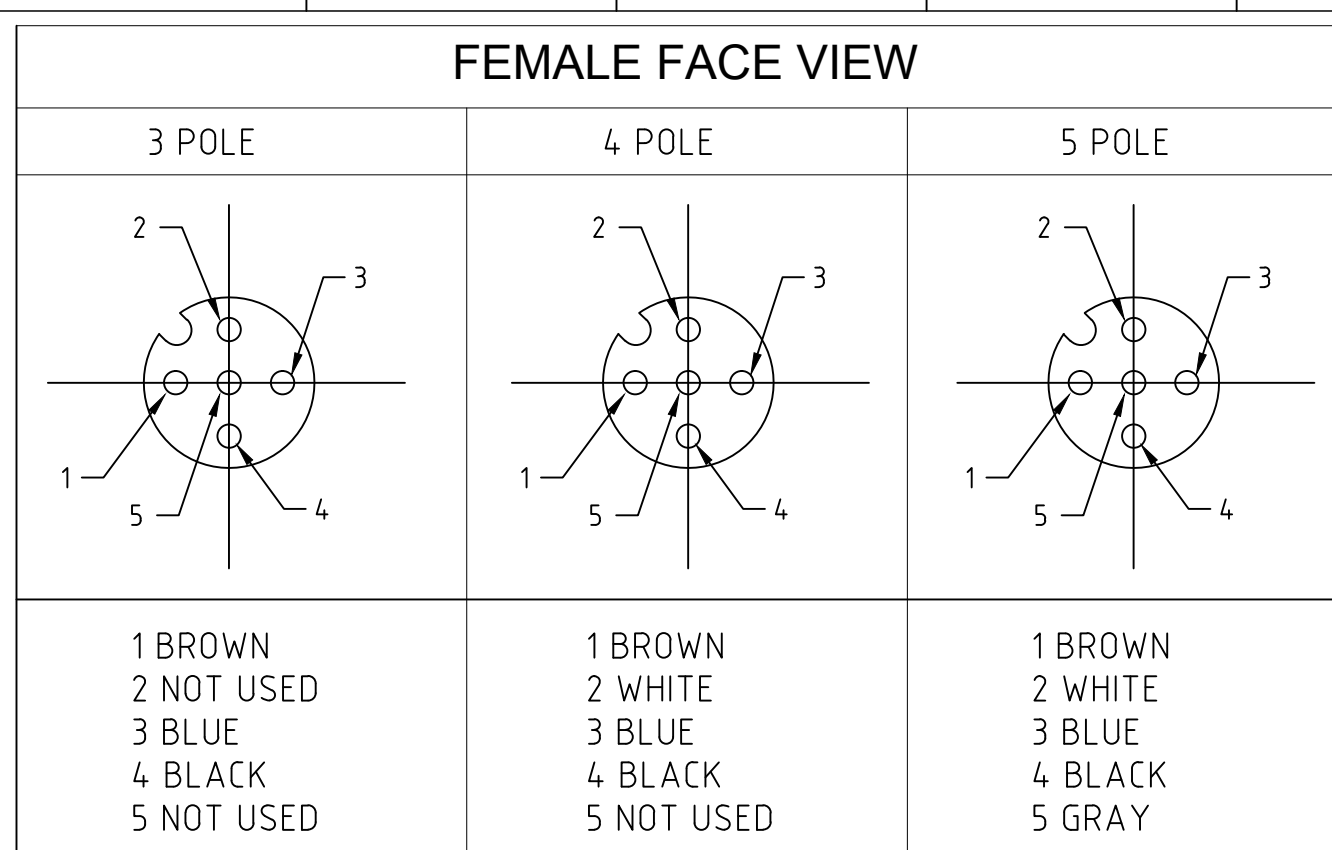
THIS DRAWING CONTAINS INFORMATION THAT IS PROPRIETARY TO MOLEX ELECTRONIC TECHNOLOGIES, LLC AND SHOULD NOT BE USED WITHOUT WRITTEN PERMISSION									
DIMENSION UNITS		SCALE		CURRENT REV DESC: OBSOLETE PART NUMBERS AS PER PCN#506884					
mm		1:1		 CSE M12 XP AC FE STR MA STR XM DE					
GENERAL TOLERANCES (UNLESS SPECIFIED)									
ANGULAR TOL		± 1.0°		EC NO: 662770 DRWN: SUGEEB 2021/02/23 CHK'D: GGA 2021/06/02 APPR: GGA 2021/06/02					
4 PLACES		±							
3 PLACES		±		INITIAL REVISION: DRWN: JMARSZALEK 2016/09/19 APPR: RSILLER 2016/12/08					
2 PLACES		± 0.05							
1 PLACE		± 0.3		DOCUMENT NUMBER		DOC TYPE		DOC PART REVISION	
0 PLACES		± 0.5		1200668165		PSD		000 A4	
DRAFT WHERE APPLICABLE MUST REMAIN WITHIN DIMENSIONS				THIRD ANGLE PROJECTION		DRAWING		SERIES	
						A3-SIZE		120066	
				MATERIAL NUMBER		CUSTOMER		SHEET NUMBER	
				SEE TABLE		GENERAL MARKET		4 OF 5	

# PART LIST

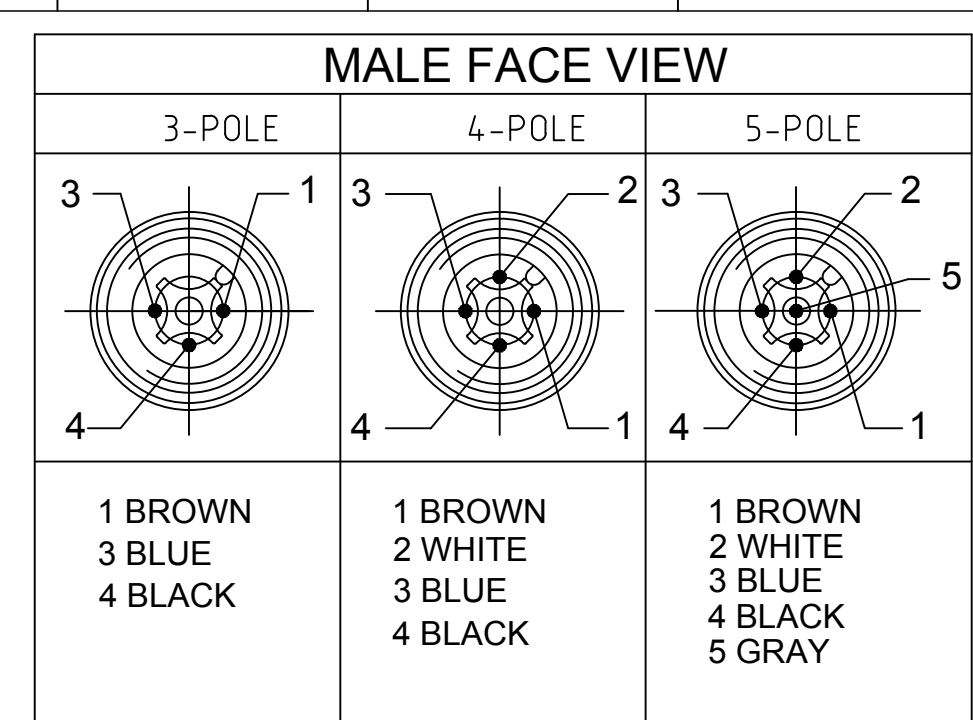
No.	Part No.	Engineering No.	Cable Length
171	1200668735	884030P82M0707Y	7m
172	1200668736	885030I26M015Y	1.5m
173	1200668773	885030P82M0107	1m
174	1200668873	885030I26M050Y	5m
175	1200669113	884030A09M0308	3m
176	1200669118	884030P82M0307Y	3m
177	1200669149	883030I03M010Y	1m
178	1200669218	885030I03M100Y	10m
179	1200669227	884030K05M500	50m
180	1200669228	884030K05M600	60m
181	1200718014	884030P82M0607	6m
182	1200660166	883030A09M010	1m
183	1200660261	884030A09M005	0.5m
184	1200660262	884030A09M006	0.6m
185	1200660266	884030A09M010	1m
186	1200660269	884030A09M015	1.5m
187	1200660294	884030A09M080	8m
188	1200660299	884030A09M1008	10m
189	1200660434	885030A09M050	5m
190	1200661037	885030K03M040	4m
191	1200661039	885030K03M060	6m
192	1200661041	885030K03M080	8m
193	1200661684	885030K03M300	30m
194	1200661686	885030K03M180	18m
195	1200661687	885030K03M230	23m
196	1200668081	885030E57M100A	10m

THIS DRAWING CONTAINS INFORMATION THAT IS PROPRIETARY TO MOLEX ELECTRONIC TECHNOLOGIES, LLC AND SHOULD NOT BE USED WITHOUT WRITTEN PERMISSION										
DIMENSION UNITS	SCALE	CURRENT REV DESC: OBSOLETE PART NUMBERS AS PER PCN#506884			<b>molex</b>					
mm	1:1									
GENERAL TOLERANCES (UNLESS SPECIFIED)					CSE M12 XP AC FE STR MA STR XM DE					
ANGULAR TOL	± 1.0 °				PRODUCT CUSTOMER DRAWING					
4 PLACES	±	EC NO: 662770			DOCUMENT NUMBER					
3 PLACES	±	DRWN: SUGEEB 2021/02/23			1200668165			DOC TYPE	DOC PART	REVISION
2 PLACES	± 0.05	CHK'D: GGA 2021/06/02						PSD	000	A4
1 PLACE	± 0.3	APPR: GGA 2021/06/02								
0 PLACES	± 0.5	INITIAL REVISION:								
DRAFT WHERE APPLICABLE MUST REMAIN WITHIN DIMENSIONS		THIRD ANGLE PROJECTION	DRAWING	SERIES	MATERIAL NUMBER	CUSTOMER	SHEET NUMBER			
			A3-SIZE	120066	SEE TABLE	GENERAL MARKET	5 OF 5			

DOCUMENT STATUS	P1	RELEASE DATE	2021/06/02	05:45:39
-----------------	----	--------------	------------	----------



PART NO.	ENGINEERING NO.	FINISHED LENGTH	POLES	CABLE DIA.
1200660677	883030K05M020	2.0M [6'7"]	3	.20/5.1
1200660691	884030K05M040	4.0M [13'1"]	4	.21/5.3
1200662133	885030K05M100	10.0M [32'10"]	5	.23/5.8



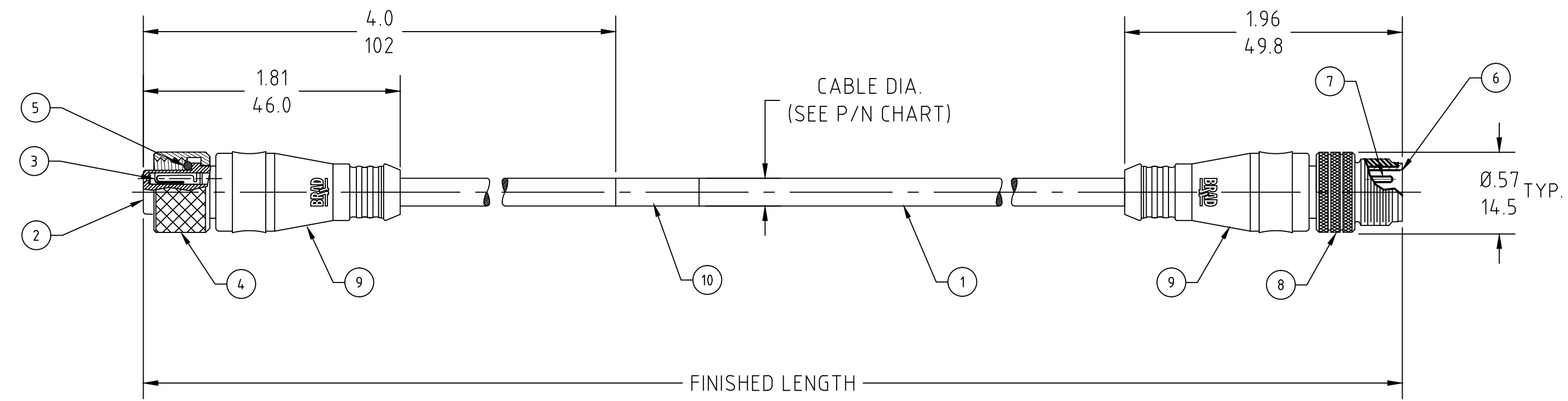
**(B) PART NO. LEGEND**

## 883030K05M020

**POLES: 3,4 & 5**

**CABLE TYPE**  
22AWG  
TPE YELLOW

**FINISHED LENGTH**  
M005 = 0.5 Meters  
M010 = .0 Meter  
M100 = 10 Meters



- (B) NOTES:**
1. MATERIAL: AS NOTED
  2. FINISH: AS NOTED
  3. ELECTRICAL:  
VOLTAGE: 250V  
CURRENT: 4A
  4. TEMP RATING: -25°TO +105°C
  5. PROTECTION: IP67 (WHEN MATED)
  6. COUPLING THREAD: M12 X 1
  7. UL RECOGNIZED FILE: E152210  
CSA CERTIFIED FILE: LR6837
  8. ALL DIMS ARE FOR REFERENCE  
UNLESS NOTED OTHERWISE


**(B) CABLE FLEX CHARACTERISTICS**

TORSIONAL FLEX TEST	10 MILLION CYCLES PER MIL-C-13777G
BEND FLEX TEST	10 MILLION CYCLES PER MIL-C-13777G
WELD SLAG RESISTANCE	WOODHEAD STANDARD S-300

**(B) CABLE LENGTH TOLERANCES**

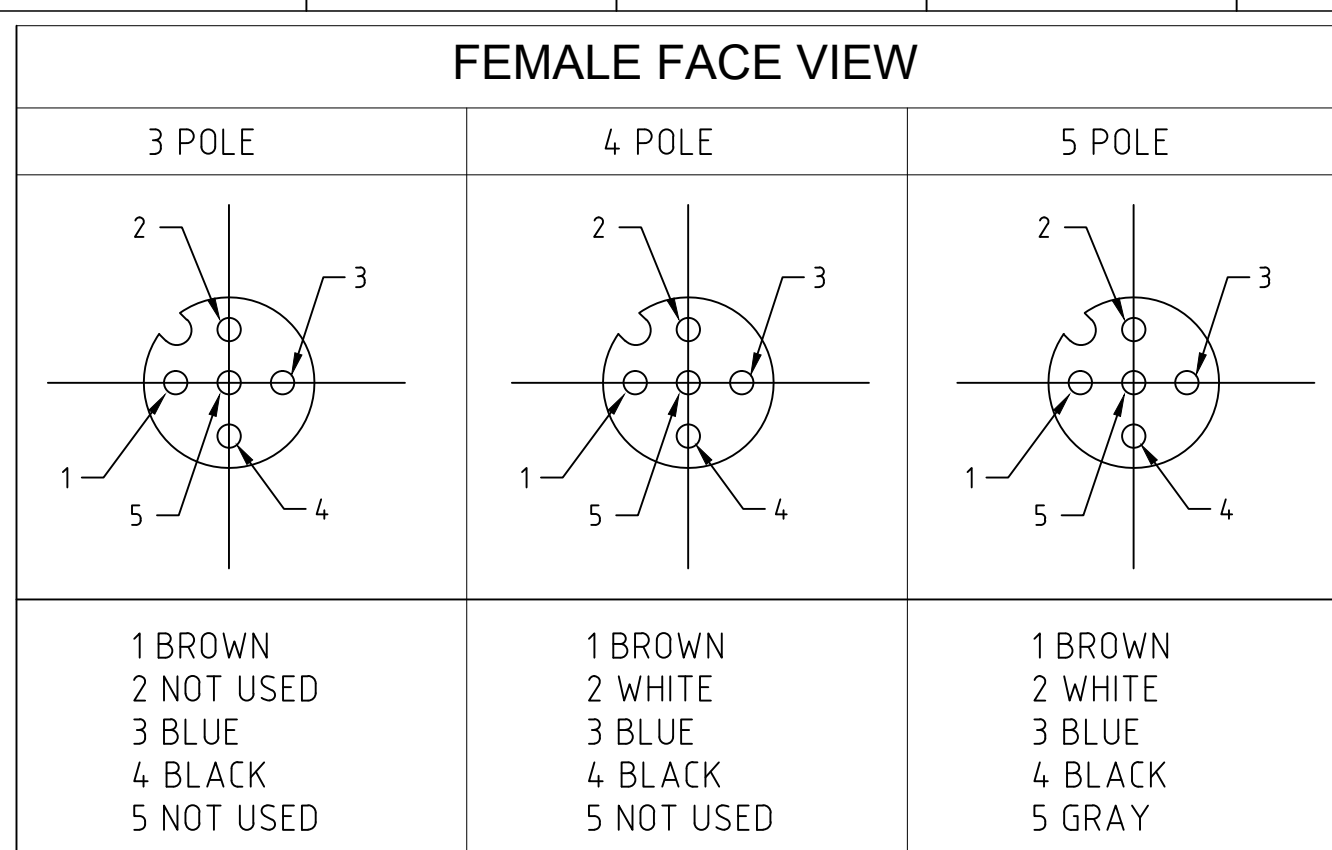
>.3M [1FT]: +19mm-0 [+ .75in-0]
.3 - .9M [1 - 3FT]: +44.5mm-0 [+1.75in-0]
.9 - 1.8M [3 - 6FT]: +55.6mm-0 [+2.19in-0]
1.8 - 3.7M [6 - 12FT]: +88.9mm-0 [+3.50in-0]
3.7 - 7.3M [12 - 24FT]: +165.1mm-0 [+6.50in-0]
7.3-14.6M [24 - 48FT]: +317.5mm-0 [+12.50in-0]
14.6 - 30.5M [48-100FT]: +622.3mm-0 [+24.50in-0]
OVER 30M [100FT] +2% OF FINISHED LENGTH

ITEM	DESCRIPTION	MATERIAL	FINISH
10	WRAP LABEL	VINYL	BLACK/YELLOW
9	OVERMOLD	TPE	YELLOW
8	COUPLING NUT	BRASS	NICKEL PLATED
7	CONTACT PIN	COPPER ALLOY	GOLD PLATED
6	MALE INSERT	PUR	BLACK
5	O-RING	VITON	RED
4	COUPLING NUT	BRASS	NICKEL PLATED
3	CONTACT SOCKET	COPPER ALLOY	GOLD PLATED
2	FEMALE INSERT	PUR	BLACK
1	CABLE, 22AWG, 300V, 105°	TPE JACKET	YELLOW

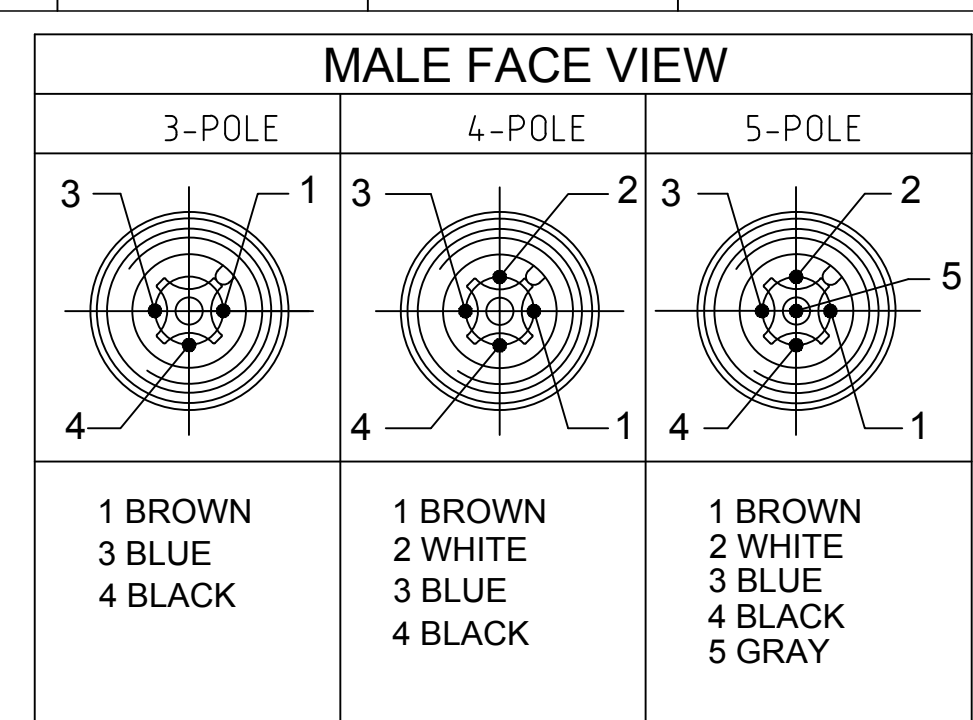
RELEASED EC NO: IPG2019-0231 DRWN: RSTONE CHKD: M ZIELIN APPR: BWOODMAN2010/01/29	11/6/18	QUALITY SYMBOL ▽=0 ▽=0	GENERAL TOLERANCES (UNLESS SPECIFIED)		DIMENSION STYLE IN/MM		SCALE ---	DESIGN UNITS INCH	THIRD ANGLE PROJECTION		
				mm	INCH	DRAWN BY LSTEMMLE	DATE 2010/01/25	TITLE <b>MICRO-CHANGE CORDSET            3/4/5 P. FE STR/ MA STR            22/3-5 YELLOW TPE CABLE</b>			
				4 PLACES ±---	±---	CHECKED BY RE	DATE 2010/01/26				
				3 PLACES ±---	±---	APPROVED BY NSTAUDIG	DATE 2010/01/29	 <b>MOLEX INCORPORATED</b>		DOCUMENT NO. SD-120066-011	SHEET NO. 1 OF 1

DRAFT WHERE APPLICABLE MUST REMAIN WITHIN DIMENSIONS

THIS DRAWING CONTAINS INFORMATION THAT IS PROPRIETARY TO MOLEX INCORPORATED AND SHOULD NOT BE USED WITHOUT WRITTEN PERMISSION



PART NO.	ENGINEERING NO.	FINISHED LENGTH	POLES	CABLE DIA.
1200660677	883030K05M020	2.0M [6'7"]	3	.20/5.1
1200660691	884030K05M040	4.0M [13'1"]	4	.21/5.3
1200662133	885030K05M100	10.0M [32'10"]	5	.23/5.8



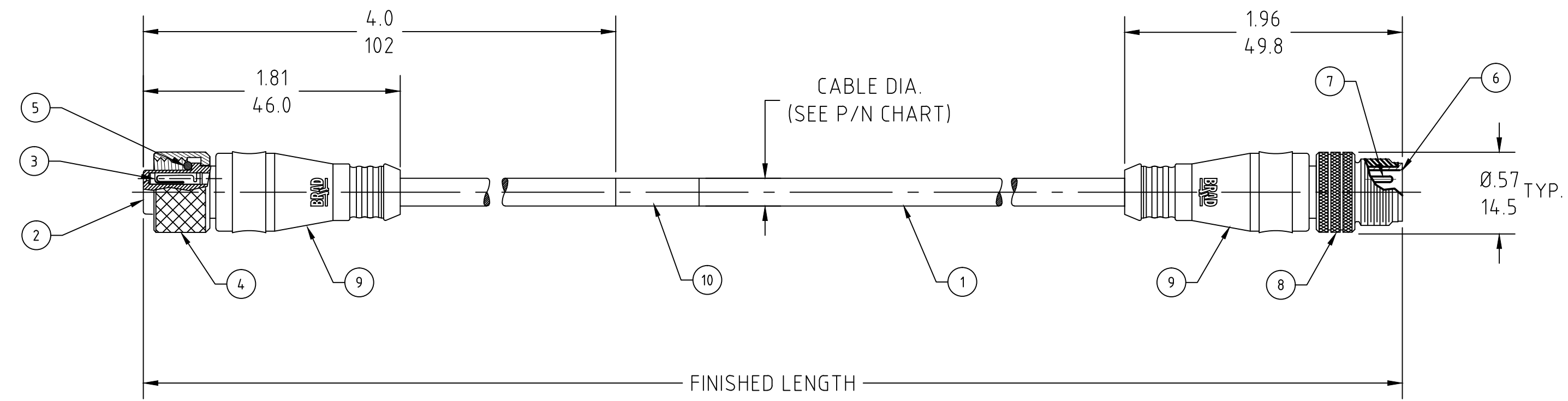
**(B) PART NO. LEGEND**

## 883030K05M020

**POLES: 3,4 & 5**

**CABLE TYPE**  
22AWG  
TPE YELLOW

**FINISHED LENGTH**  
M005 = 0.5 Meters  
M010 = .0 Meter  
M100 = 10 Meters



- (B) NOTES:**
1. MATERIAL: AS NOTED
  2. FINISH: AS NOTED
  3. ELECTRICAL:  
VOLTAGE: 250V  
CURRENT: 4A
  4. TEMP RATING: -25°TO +105°C
  5. PROTECTION: IP67 (WHEN MATED)
  6. COUPLING THREAD: M12 X 1
  7. UL RECOGNIZED FILE: E152210  
CSA CERTIFIED FILE: LR6837
  8. ALL DIMS ARE FOR REFERENCE  
UNLESS NOTED OTHERWISE

**(B) CABLE FLEX CHARACTERISTICS**

TORSIONAL FLEX TEST	10 MILLION CYCLES PER MIL-C-13777G
BEND FLEX TEST	10 MILLION CYCLES PER MIL-C-13777G
WELD SLAG RESISTANCE	WOODHEAD STANDARD S-300

**(B) CABLE LENGTH TOLERANCES**

>.3M [1FT]: +19mm-0 [+ .75in-0]
.3 - .9M [1 - 3FT]: +44.5mm-0 [+1.75in-0]
.9 - 1.8M [3 - 6FT]: +55.6mm-0 [+2.19in-0]
1.8 - 3.7M [6 - 12FT]: +88.9mm-0 [+3.50in-0]
3.7 - 7.3M [12 - 24FT]: +165.1mm-0 [+6.50in-0]
7.3-14.6M [24 - 48FT]: +317.5mm-0 [+12.50in-0]
14.6 - 30.5M [48-100FT]: +622.3mm-0 [+24.50in-0]
OVER 30M [100FT] +2% OF FINISHED LENGTH

ITEM	DESCRIPTION	MATERIAL	FINISH
10	WRAP LABEL	VINYL	BLACK/YELLOW
9	OVERMOLD	TPE	YELLOW
8	COUPLING NUT	BRASS	NICKEL PLATED
7	CONTACT PIN	COPPER ALLOY	GOLD PLATED
6	MALE INSERT	PUR	BLACK
5	O-RING	VITON	RED
4	COUPLING NUT	BRASS	NICKEL PLATED
3	CONTACT SOCKET	COPPER ALLOY	GOLD PLATED
2	FEMALE INSERT	PUR	BLACK
1	CABLE, 22AWG, 300V, 105°	TPE JACKET	YELLOW

RELEASED EC NO: IPG2019-0231 DRWN: RSTONE CHKD: M ZIELIN APPR: BWOODMAN2010/01/29	11/6/18	!	QUALITY SYMBOL	GENERAL TOLERANCES (UNLESS SPECIFIED)	DIMENSION STYLE	SCALE	DESIGN UNITS	THIRD ANGLE PROJECTION	
			▽=0	mm INCH	IN/MM	---	INCH	◎ □	
			∇=0	4 PLACES ±--- ±---	DRAWN BY DATE	LSTEMMLE 2010/01/25	TITLE <b>MICRO-CHANGE CORDSET            3/4/5 P. FE STR/ MA STR            22/3-5 YELLOW TPE CABLE</b>		
				3 PLACES ±--- ±---	CHECKED BY DATE	RE 2010/01/26			
				2 PLACES ±--- ±---	APPROVED BY DATE	mox <b>MOLEX INCORPORATED</b>			
				1 PLACE ±--- ±---	NSTAUDIG 2010/01/29				DOCUMENT NO.
				ANGULAR ±---°	MATERIAL NO.	SD-120066-011 1 OF 1			
				DRAFT WHERE APPLICABLE MUST REMAIN WITHIN DIMENSIONS	SIZE	THIS DRAWING CONTAINS INFORMATION THAT IS PROPRIETARY TO MOLEX INCORPORATED AND SHOULD NOT BE USED WITHOUT WRITTEN PERMISSION			
				C					