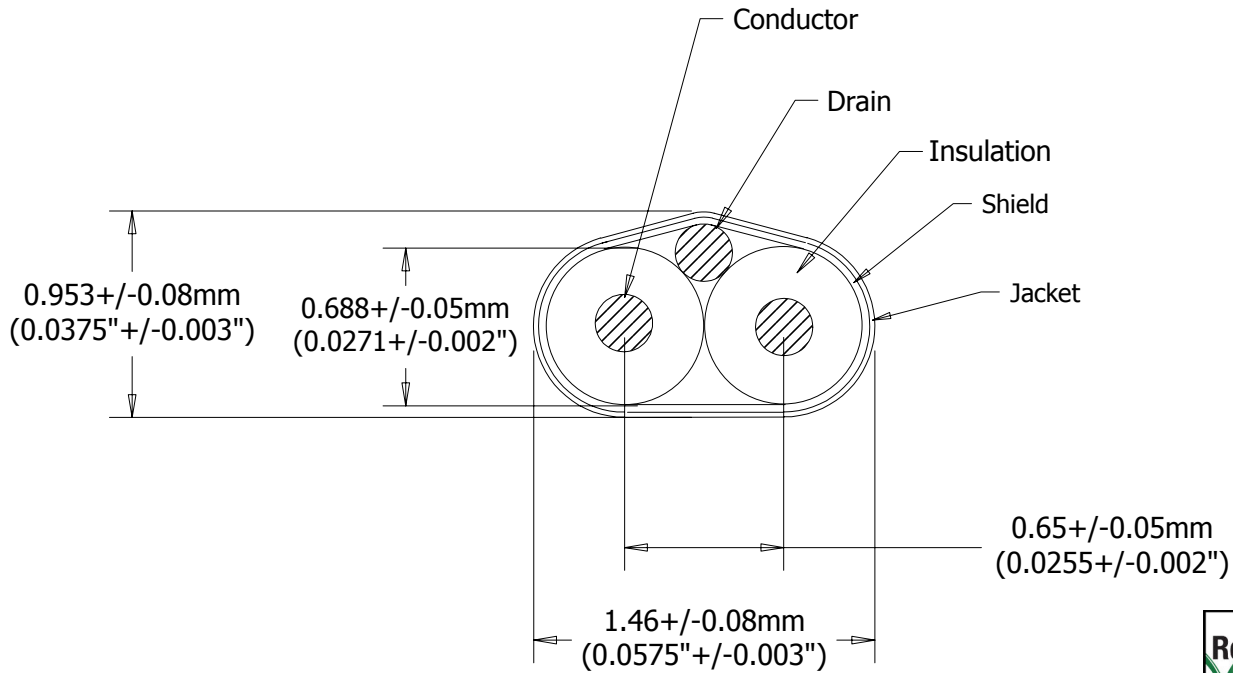


TITLE	PART No.	REV	PAGE
Shielded Pair, 30 AWG, 90 Ohm Twinax	1000680115	B	1 of 1



NOTES

Construction:

- Conductor: 30 AWG, 0.25mm (0.010") Solid SPC
- Insulation: Fluoropolymer
- Drain Wire: 30 AWG, 0.25mm (0.010") Solid SPC
- Shield: Aluminum / Polyester, 0.023mm (0.0009") Thickness Ref.
- Jacket: Polyester, Heat Sealed, 0.025mm (0.001") Thickness Ref.

Electrical Characteristics:

- (Based on a 3m Length)
- Differential Impedance: 90 +/- 2 Ohms
- Propagation Delay: 4.8 ns/m Ref.
- Intra-Pair Skew: 20 ps/3m Max.

Intra-Pair Skew:
(Frequency Based)
$$\sqrt{\frac{1}{N} \sum \left(\frac{\text{phase} \left(\frac{S_{21} - S_{23}}{S_{43} - S_{41}} \right)}{f \cdot 0.36} \right)^2} \leq 14\text{ps}$$

- Phase unit: degree
- f: Frequency in GHz where 1GHz ≤ f ≤ 21 GHz
- N: Number of frequency points

SCD21
f < 25 GHz: 24 dB Min.

Mechanical Characteristics:
Min. Bend Radius: 5X OD - Minor Axis

Thermal Characteristics:
Temperature Rating: -20 to 105C

Print Legend (Drain Wire Side): MOLEX TEMP-FLEX(R) < LOCATION CODE: US or PHL or GDL > TWINMAX(TM) 30 AWG 1000680115
--- E61522 <UL CODE: -MPI for PHL, <blank> for US, -MDM for GDL> STYLE 21935 cRUus AWM I A/B 105C 30V FT1 VW-1 --- <TRACEABILITY>

Based on 3m Test Length		
SDD21		
Freq (GHz)	Nom.	Max.
	dB	dB
2.50	7.42	8.15
5.00	10.78	11.80
7.50	13.45	15.25
10.00	15.85	18.05
12.89	18.28	20.43
15.00	19.88	22.37
17.50	21.95	25.50
20.00	24.02	28.18
22.50	25.97	32.25
25.00	28.38	36.97

This document is the property of TEMP-FLEX. It may not be disclosed, reproduced, or otherwise used without permission.	Rev	DCR	Description	App'd	Date
	A	5379	Initial Release	KP	1/30/18
	B	5382	Add FT1 to Print Legend.	KP	2/2/18