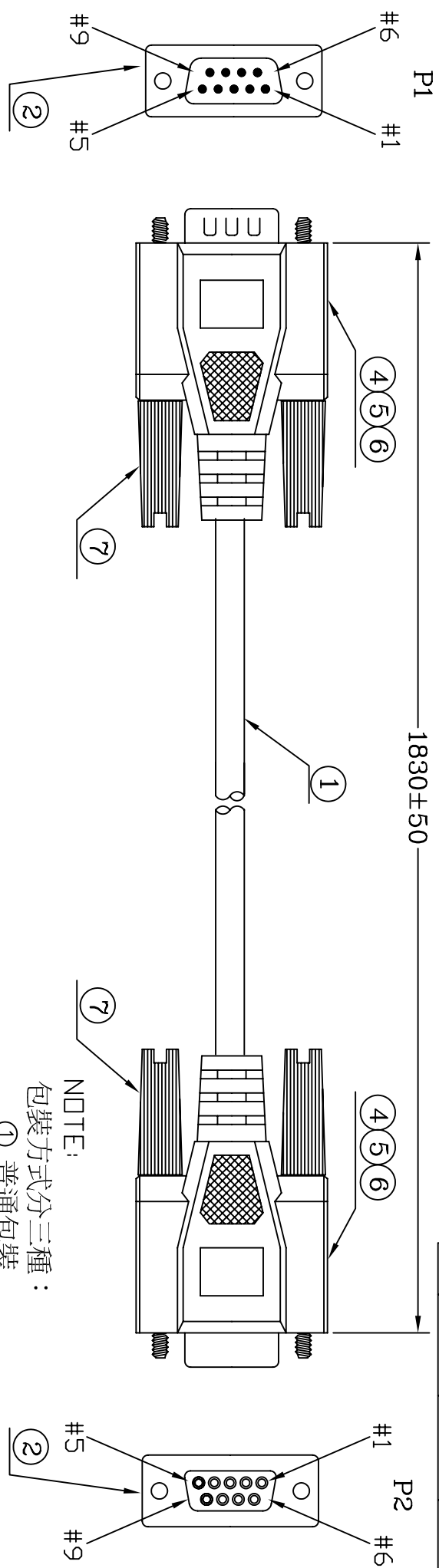


REV	DESC	DATE	APP
G	Δ	2010.07.30	N21007241



ROHS COMPLIANT

包裝方式分三種：
 ① 普通包裝
 ② 條碼包裝
 ③ 吊卡包裝
 ④ 真空盒包裝

以上包裝依據定單包裝要求選擇
 真空盒包裝繞線規格：
 長：210MM(MAX)
 寬：75MM(MAX)
 厚：40MM(MAX)

PIN ASSIGNMENT

P1	1	2	3	4	5	6	7	8	9	S
	1	2	3	4	5	6	7	8	9	S

1	BLACK
2	BROWN
3	RED
4	ORANGE
5	YELLOW
6	GREEN
7	BLUE
8	PURPLE
9	GREY
S	DRAIN

ND	DESCRIPTION	QTY	UNIT
1	240010100034 SRW-E31.5/BE02	4	PCS
2	120010000006 PVC-BE02/50	38	G
3	120020000001 PVC-IN	7.0	G
4	230020000014 SDL-WIRE-FULL-TIN-1.0	0.5	G
5	100-0920110010-C CDS-09S<BU>	1	PCS
6	100-0910110010N-C CDS-09P<BU>	1	PCS
7	1201809502002X 30-9C+AD-BEIGE02-4.5N (種銅×慶靜)	1.83	M

OUTER MOLDING IDB9-1504

INNER MOLDING

Micro Connectors, Inc.

ITEM: MO5-101

SCALE: NONE

CUSTOMER: C337

DATE: 99/05/03

APP, BY: HALL

CUSTOMER P/N:

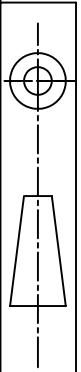
REV: H

ALL DIMENSIONS IN mm

REV	DESC	DATE	APP
D		05/11/29	A0511475
F		2009.08.27	N20908197
G		2010.07.30	N21007241
H		2010.11.30	N21011225

MI09093000003A	普通包裝	390	CARTON:46*30*25CM	1/150	PCS
		390	PE BAG:30*28*0.08MM	1/150	PCS
		390	PE BAG:7*10*0.06MM	1	PCS
		390	TIE-A/BE02	100*1	MM
		390	CARTON:46*30*25CM	1/150	PCS
		390	PE BAG:30*28*0.08MM	1/150	PCS
		390	PE BAG:7*10*0.06MM	1	PCS
		390	PRINT BAR CODE AND P/N (M05-101)	1	PCS
		390	TIE-A/BE02	100*1	MM
		390	CARTON:46*30*25CM	1/150	PCS
		390	PE BAG:30*28*0.08MM	1/150	PCS
		390	PE BAG:7*12*0.06MM	1	PCS
		390	TIE-A/BE02	100*1	MM
		390	STAPLE:LARGE SIZE	2	PCS
		390	HANG-TAG:M05-101	1	PCS
		220030000361	TIE-A/BE02	100*1	MM
		3200220000321	隔板:61*49*0.3CM	3/46	PCS
		310000000779	CARTON:62*50*22CM<<4B4K>		1/46
		320080000307	真空盒:PK-G-300-B1<插卡式>		1
		330060000851	紙卡:320*95MM "VIDEO"(紫色)#2		1
		320120000032	棉紙:350*150MM		1/2
		340060003089	料號貼紙:70*24(如圖所示)		1
		340050000001	訂書針		1
MI0009093L00003D	真空盒包裝				

ROHS COMPLIANT



ITEM: M05-101
SCALE: NDT
DATE: 2005/11/01
REV: H

NOTE:
注意:此款客戶指定用#2真空盒包裝;

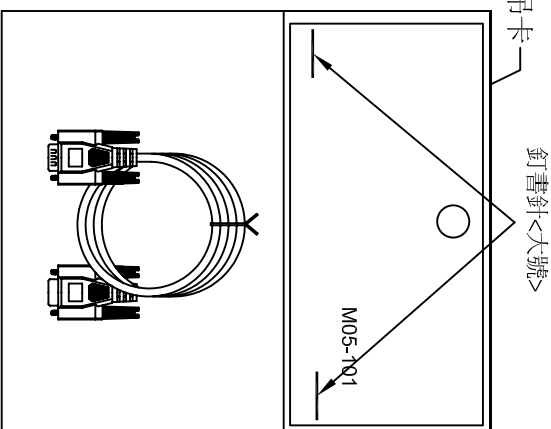
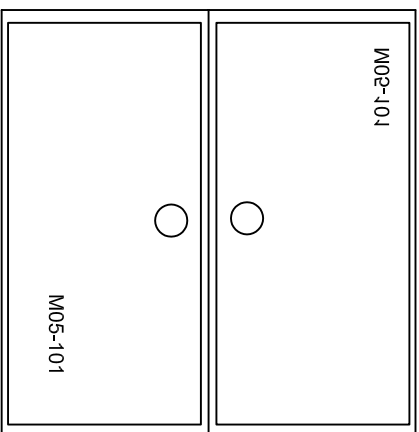
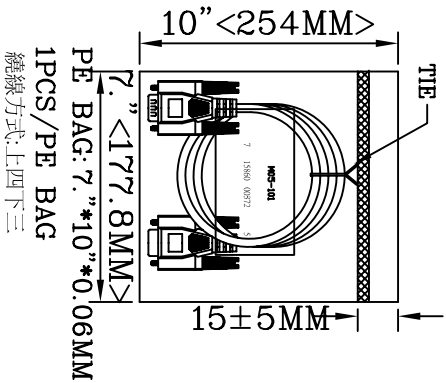
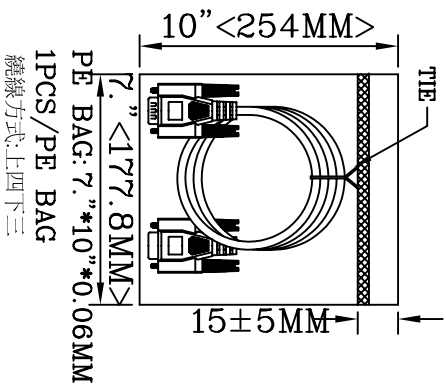


Micro Connectors, Inc.

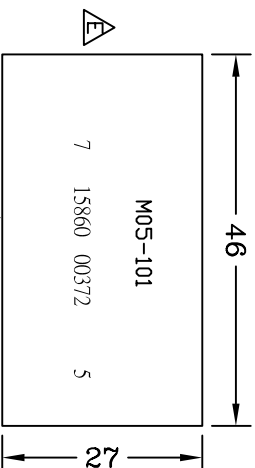
DRAWN BY: HMILY	SCALE: NDT	DATE: 2005/11/01
CHECKED BY: JOHN	CUSTOMER: C337	PAGE: 2/3
APPROVED BY:	CUSTOMER P/N:	

ALL DIMENSIONS IN mm

REV	DESC	DATE	APP
D		05/11/29	A0511475
F		2009.08.27	N20908197
G		2010.07.30	N21007241



PE BAG: 7" * 12" * 0.06MM
1PCS / PE BAG

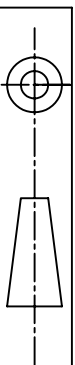


印於PE袋



貼紙卡正面小方框中

ROHS COMPLIANT



ITEM: M05-101

REV: H

DRAWN, BY: HMILY SCALE: NDT DATE: 2005/11/01

CHECKED, BY: JOHN CUSTOMER: C337 PAGE: 3/3

APPROVED, BY: CUSTOMER P/N:

ALL DIMENSIONS IN mm

Micro Connectors, Inc.