

HANDLE KIT

BUL10249

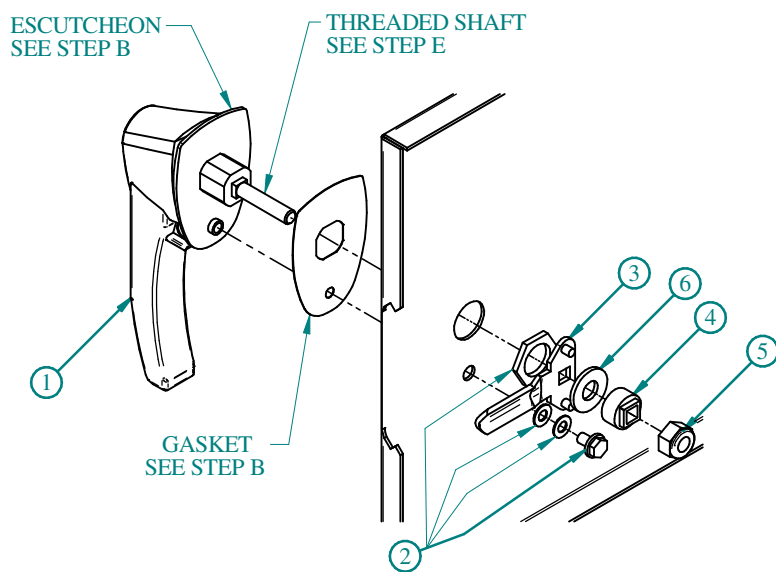
REV. F

ASSEMBLY INSTRUCTIONS FOR LATCH KITS

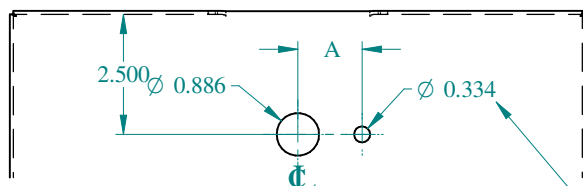
ASSEMBLY INSTRUCTIONS

- A) MARK AND DRILL DOOR AT LOCATIONS DISPLAYED IN THE DRILLING DETAIL.
- B) MOUNT GASKET TO HANDLE (PART 1) . SLIP THREADED SHAFT THROUGH .866" (22.5mm) DIA. HOLE IN DOOR AND HOLD ONTO HANDLE. FASTEN HANDLE TO DOOR USING SCREW, WASHERS AND NUT SUPPLIED (PART 2). NOTE: HANDLE CAN BE MADE TO OPEN CLOPCKWISE OR COUNTER - CLOCKWISE BY CHANGING POSITION OF DOG LOCATED UNGER HANDLE ESCUTCHEON.
- C) SLIP SPACER (PART 4) THAT COMES WITH HANDLE OVER SHAFT.
- D) SLIP CAM (PART 3) OVER SHAFT, PINS FACING UP AND LATCH FACING OUT 90 DEGREES TO HANDLE.
- E) TIGHTEN M12 CENTER- LOCK NUT AND FLAT WASHER (PART 5) AS SHOWN.

NOTE: FOR LEFT HAND HANDLE MOUNT HARDWARE OPPOSITE.



MHKL1	6" HANDLE W/PADLOCK/KEYLOCK
MHK1	6" HANDLE W/PADLOCK
MHKD1	6" HANDLE W/PADLOCK/DEFEATER
MHKLSS1	6" SS HANDLE/PADLOCK/KEYLOCK
MHKSS1	6" SS HANDLE W/PADLOCK
MHKDSS1	6" SS HANDLE W/PADLOCK/DEFEATER



DRILLING DETAIL TOP VIEW

IF REPLACING 8" HANDLE WITH 6" HANDLE
DRILL HOLE \varnothing 0.484

PART	A
6" HANDLE	1.338" (34mm)
8" HANDLE	1.417" (36mm)

PART#	QTY.	DESCRIPTION
1	1	PAD LOCKING HANDLE
2	1	HANDLE HARDWARE (SCREW, WASHERS, NUT AND GASKET)
3	1	CAM
4	1	3/8" SPACER
5	1	HEX NUT M10 CTR-LOCK AND FLAT WASHER
6	1	FLAT WASHER

TOOL BOX

