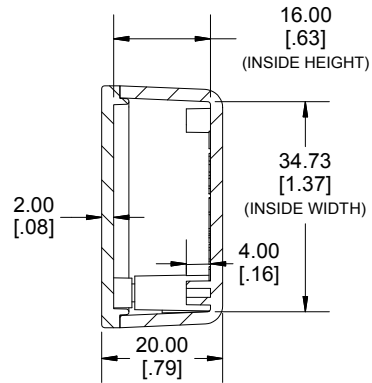
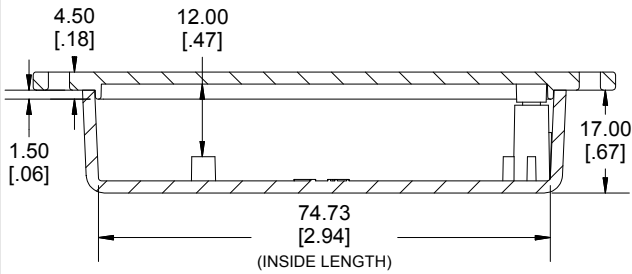
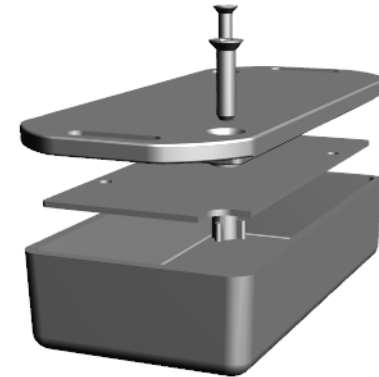


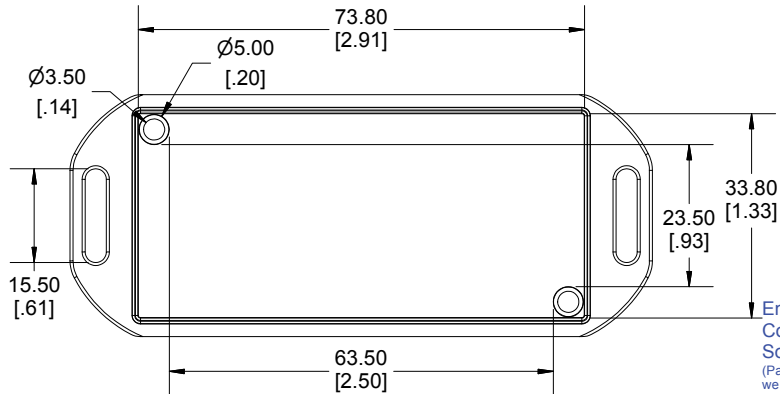
**TOP VIEW**



**END VIEW  
SECTION B-B**

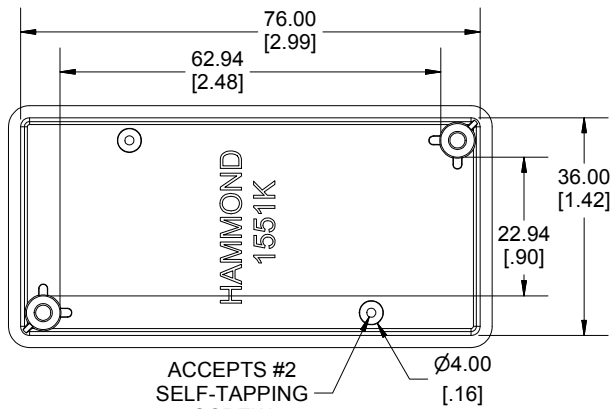


**SIDE VIEW  
SECTION A-A**



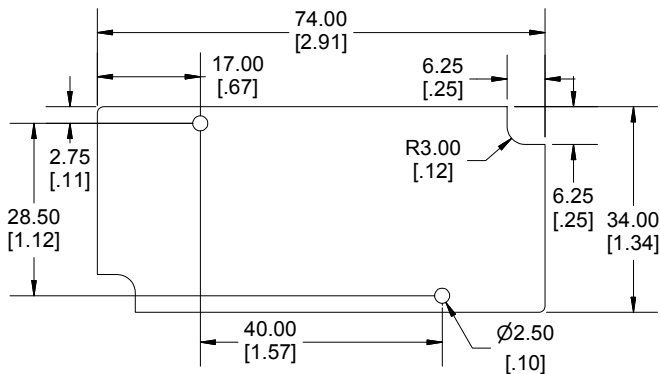
**INSIDE LID**

Enclosures can be Factory Modified ( Milling, Drilling, Printing etc.)  
 Contact Factory [mjm@hammondmfg.com](mailto:mjm@hammondmfg.com) for quotes  
 Solid models of this enclosure available in STEP or IGES.  
 (Part number and text placement/orientation on our products are subject to change,  
 we do not recommend using them as a locating reference for modification purposes)



**INSIDE BOX**

ACCEPTS #2  
 SELF-TAPPING  
 SCREW



**MAXIMUM  
P.C. BOARD SIZE**

Dimensions:  
 mm  
 [inches]

**NOTE**

Purchased assembly includes box, lid, 2 cover screws.  
 Enclosure molded from general purpose ABS Plastic.  
 Other materials / colours available consult factory.  
**Recommended Torque : (35-43) Ozf.in / (25-30) cN.m**

**PART NUMBERS**

1551KFL Enclosure		
Black Enclosure - Ral 9011 - UL94 - HB		1551KFLBK
Gray Enclosure - RAL 7035 - UL94 - HB		1551KFLGY
Tranlucent Blue - UL94 - HB		1551KFLTBU
ACCESSORIES		
Black Cover Screws #4 X 1/2" Self-tapping		1591TS100BK (Pkg 100)
Plated Cover Screws #4 X 1/2" Self-tapping		1591TS100 (Pkg 100)
P.C. Board Screws		1551ATS50 (Pkg 50)
#2 x 3/16" self-tapping (4.8mm)		1551ATS100 (Pkg 100)

**HAMMOND  
MANUFACTURING**

**1551KFL**

[www.hammondmfg.com](http://www.hammondmfg.com)