

CABLE 385 RF: I-PEX MHF 4L PLUG TO SMA STRAIGHT BULKHEAD JACK WITH O-RING RATED IP67/68 TO MULTIPLE CABLE SIZES, 6GHz

SPECIFICATIONS :

1. I-PEX MHF 4L PLUG, P/N:
FOR $\phi 1.13\text{MM}$ CABLE: 20565-001R-13.
FOR $\phi 1.37\text{MM}$ LL CABLE: 20632-001R-37.
2. COAXIAL CABLE, SEE P/N OPTIONS FOR DETAIL.
3. SMA STRAIGHT BULKHEAD JACK WITH O-RING RATED TO IP67/68, P/N: RFCT-SMA069-F78.

USAGE PRECAUTIONS: CABLES USING 'MICRO' COAX ARE DELICATE:

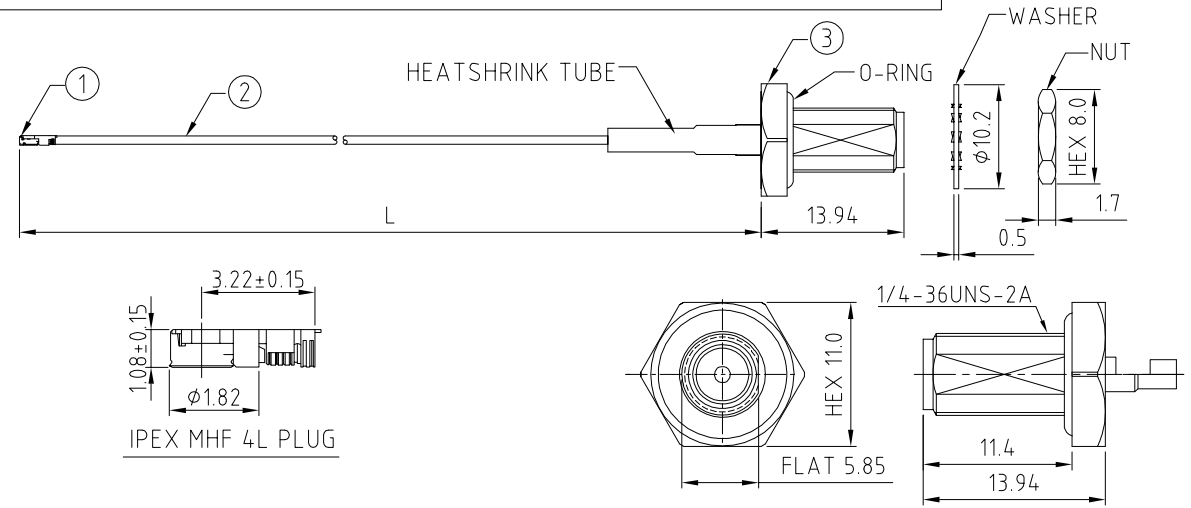
- (i) HANDLE WITH CARE.
- (ii) DO NOT TWIST; APPLY EXCESSIVE FORCES OR SHARP BENDS TO THE CABLE. DO NOT FORCEFULLY DEFORM WIRES.
- (iii) CONSULT CONNECTOR MANUFACTURER'S DATASHEETS FOR DETAILED NOTES ON HANDLING INSTRUCTIONS.

ENVIRONMENTAL:

- A. BULKHEAD MOUNTED CONNECTOR (RFCT-SMA069-F78) RATED TO THE FOLLOWING SPECIFICATION:
 - i. IP6X - DUST TIGHT - NO PARTICLE INGRESS.
 - ii. IPX7 WATERPROOF FOR 30 MINUTES UP TO 1 METER UNDERWATER.
 - iii. IPX8 WATERPROOF FOR 48 HOURS AT 1 METER UNDERWATER.

NOTES:

1. THE ORIENTATION OF CONNECTORS ON DRAWING IS FOR REFERENCE ONLY, IF THE ORDER IS LEFT BLANK THE CONNECTOR WILL NOT HAVE FIXED ORIENTATION.
2. FIXED ORIENTATION IS SUGGESTED FOR CABLE LENGTH 50MM TO 100MM. PLEASE SPECIFY THE FIXED ORIENTATIONS FROM THE ORDER CODE (F1, F2, ETC)
3. CONTACT GRADCONN IF THE ORIENTATION YOU REQUIRE IS NOT SHOWN.
4. WORKING FREQUENCY RANGE: DC-6GHz.
5. OPERATING TEMPERATURE: -40°C ~ $+85^{\circ}\text{C}$.
6. IMPEDANCE: 50 Ohm.



HOW TO ORDER

CABLE 385 RF - XXX - XX - X - X - X

"L" LENGTH IN MM:
eg: 100MM = 100
(MIN .050-MAX.400
STANDARD = 100, 150, 200)
Tolerance: 50-200mm: $\pm 5\text{mm}$.
201-400mm: $\pm 7\text{mm}$.

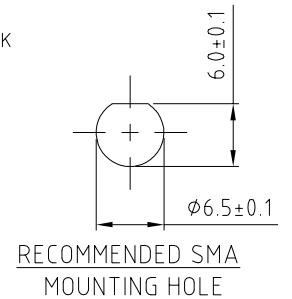
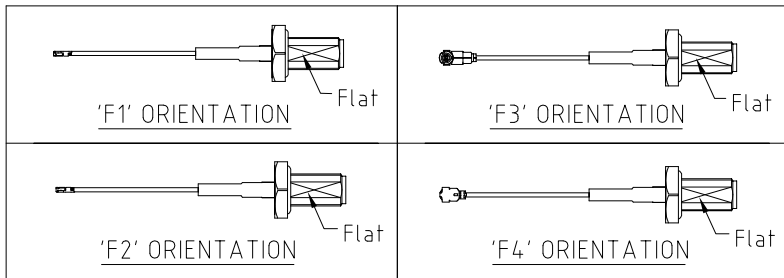
HEAT SHRINK TUBE COLOR:
BLANK = BLACK (STANDARD)
Y = YELLOW

CABLE SIZE:
2 = $\phi 1.13\text{MM}$ CABLE, COLOR: BLACK
3 = $\phi 1.37\text{MM}$ LOW LOSS CABLE, COLOR: BLACK

WASHER AND NUT OPTIONS:
BLANK = SEPARATELY PACKED (STANDARD)
A = ASSEMBLED WITH CONNECTOR

ORIENTATION OPTIONS:

- BLANK = DOES NOT HAVE A FIXED ORIENTATION
F1 = MHF CONNECTION DOWN (L=50-200MM)
F2 = MHF CONNECTION UP (L=50-200MM)
F3 = MHF CONNECTION AND D FLAT SAME ORIENTATION (L=50-200MM)
F4 = MHF CONNECTION AND D FLAT OPPOSITE ORIENTATION (L=50-200MM)
(SEE NOTES 1, 2, 3 AND DIAGRAMS FOR MORE INFORMATION)



REV. DATE & DRN	10/10/03/20 - NYW RELEASE
11	08/04/20 - NYW REMOVE 081 CABLE OPTION. ADD 113 CABLE OPTION.
12	20/04/20 - CC. REMOVE 081 CABLE OPTION. ADD 113 CABLE OPTION. TUBE COLOR OPTIONS.
13	28/04/20 - NY ADD NOTE 7.
14	24/07/20 - NYW REMOVE NOTE 7.
15	30/08/22 - NYW ADD CABLE SIZE OPTION 3.

Scale: NTS	THIRD ANGLE	Unstated X XX XXX ANGLES	Tolerances: N/A N/A N/A N/A
Drawn: CC			
App'd: XXX	Title CABLE ASSEMBLY		
Date: 30 AUG. '22	Revision: 15	Unit: mm	

NAUTILUS
IP67/68 Rated Cables

GRADCONN
www.gradconn.com

Type: Cable 385 RF
CABLE 385 RF
Drawing Number:
Sheet 1 of 1
Drawing © E and O E