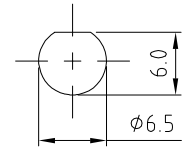


CABLE 379 RF: I-PEX MHF TO RP SMA S/T BULKHEAD JACK WITH O-RING RATED TO IP67/68 TO MULTIPLE CABLE SIZES, 6GHz

SPECIFICATIONS:

- I-PEX MHF PLUG, P/N:  
FOR  $\phi 1.13\text{MM}$  CABLE: 20278-112R-13.  
FOR RG178 CABLE: 20278-112R-18.
- COAXIAL CABLE, SEE P/N OPTIONS.
- SMA STRAIGHT BULKHEAD JACK WITH O-RING RATED TO IP67/68, P/N: RFCT-SMA071-F78.

**USAGE PRECAUTIONS: CABLES USING 'MICRO' COAX ARE DELICATE:**  
 (i) HANDLE WITH CARE.  
 (ii) DO NOT TWIST; APPLY EXCESSIVE FORCES OR SHARP BENDS TO THE CABLE. DO NOT FORCEFULLY DEFORM WIRES.  
 (iii) CONSULT CONNECTOR MANUFACTURER'S DATASHEETS FOR DETAILED NOTES ON HANDLING INSTRUCTIONS.



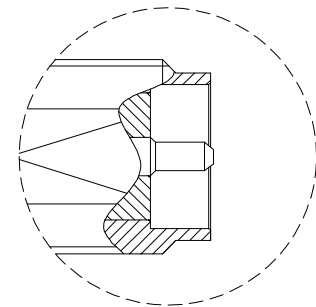
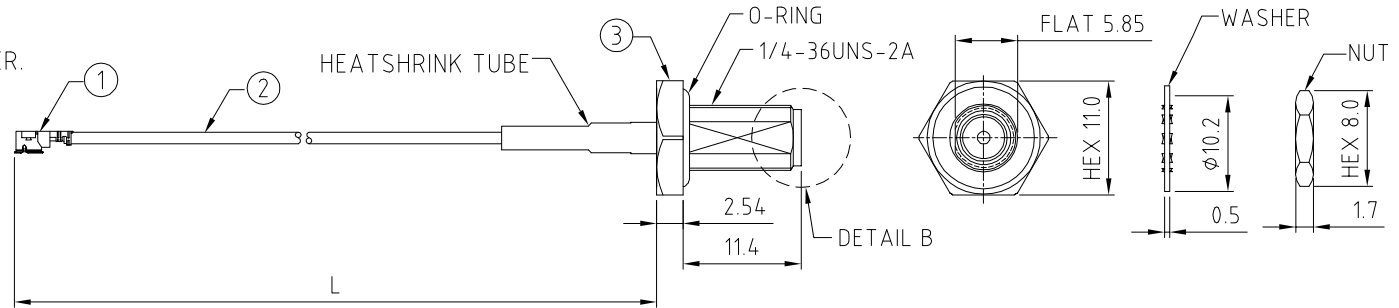
RECOMMENDED SMA MOUNTING HOLE

ENVIRONMENTAL:

- A. BULKHEAD MOUNTED CONNECTOR (RFCT-SMA071-F78) RATED TO THE FOLLOWING SPECIFICATION:
- IP6X - DUST TIGHT - NO PARTICLE INGRESS.
  - IPX7 WATERPROOF FOR 30 MINUTES UP TO 1 METER UNDERWATER.
  - IPX8 WATERPROOF FOR 48 HOURS AT 1 METER UNDERWATER.

NOTES:

- THE ORIENTATION OF CONNECTORS ON DRAWING IS FOR REFERENCE ONLY, IF THE ORDER IS LEFT BLANK THE CONNECTOR WILL NOT HAVE FIXED ORIENTATION.
- FIXED ORIENTATION IS SUGGESTED FOR CABLE LENGTH 50MM TO 100MM. PLEASE SPECIFY THE FIXED ORIENTATIONS FROM THE ORDER CODE (F1, F2, ETC)
- CONTACT GRADCONN IF THE ORIENTATION YOU REQUIRE IS NOT SHOWN.
- WORKING FREQUENCY RANGE: DC-6GHz.
- OPERATING TEMPERATURE:  $-40^{\circ}\text{C} \sim +85^{\circ}\text{C}$ .
- IMPEDANCE: 50 Ohm.



DETAIL B SCALE 3:1

HOW TO ORDER

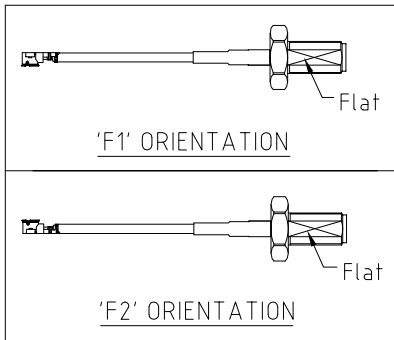
CABLE 379 RF - XXX - XX - X - X

"L" LENGTH IN MM:  
 eg: 100MM = 100  
 (MIN. 050-MAX.400  
 STANDARD = 100, 150, 200)  
 Tolerance: 50-200mm:  $\pm 5\text{mm}$ .  
 201-400mm:  $\pm 7\text{mm}$ .

CABLE SIZE OPTIONS:  
 1 =  $\phi 1.13\text{MM}$  CABLE, COLOR: GREY  
 2 =  $\phi 1.13\text{MM}$  LOW LOSS CABLE, COLOR: GREY  
 3 = RG178 CABLE, COLOR: BROWN

WASHER AND NUT OPTIONS:  
 BLANK = SEPARATELY PACKED (STANDARD)  
 A = ASSEMBLED WITH CONNECTOR

ORIENTATION OPTIONS:  
 BLANK = DOES NOT HAVE A FIXED ORIENTATION  
 F1 = MHF CONNECTION DOWN (L=50-200MM)  
 F2 = MHF CONNECTION UP (L=50-200MM)  
 (SEE NOTES 1, 2, 3 AND DIAGRAMS FOR MORE INFORMATION)



REV. DATE & DRN	TO: 19/02/20 - CC RELEASE
11. 28/04/20 - NYW	
12. 15/04/20 - NYW	
13. 14/07/20 - NYW	
14. 29/07/22 - NYW	

Scale: NTS	THIRD ANGLE	Unstated: X, XX, XXX	Tolerances: N/A, N/A, N/A
Drawn: CC		ANGLES	N/A
App'd: XXX	Title CABLE ASSEMBLY		
Date: 29 JUL '22	Revision: 1.4	Unit: mm	

**NAUTILUS**  
 IP67/68 Rated Cables

**GRADCONN**  
 www.gradconn.com

Type: Cable 379 RF
CABLE 379 RF
Drawing Number:
Sheet 1 of 1
Drawing © E and O E