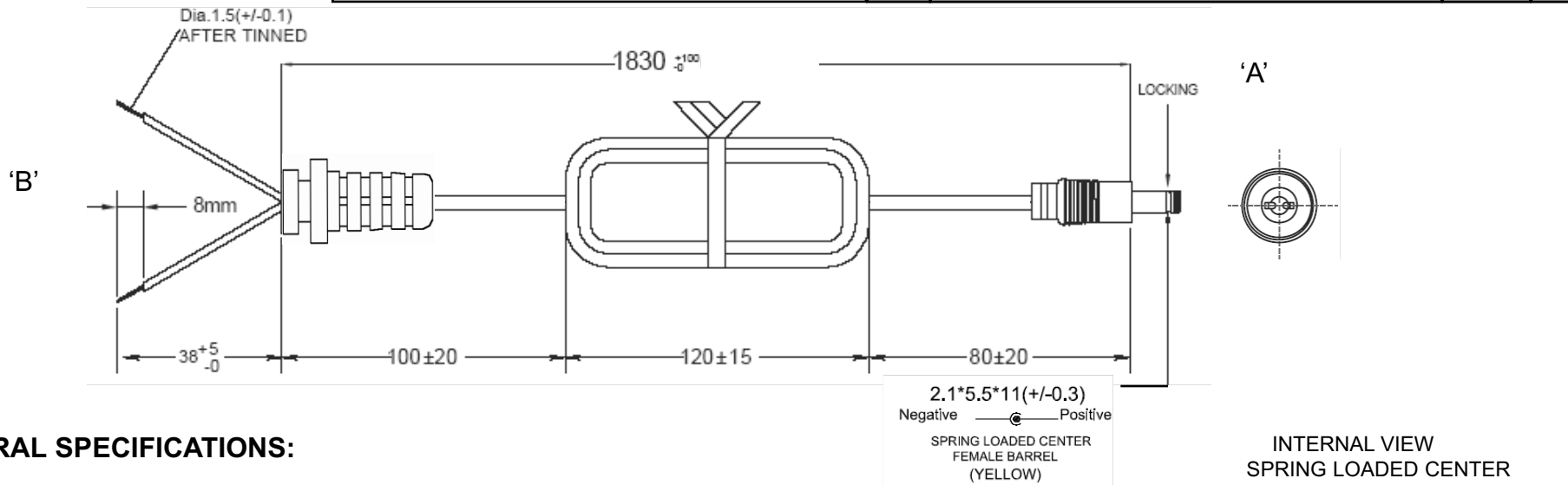


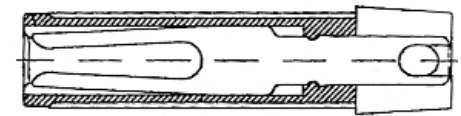
PROPRIETARY INFORMATION:
 PROPRIETARY OF GLOBTEK, INC. ANY REPRODUCTION, DISCLOSURE OR
 USE OF THIS DRAWING, IN WHOLE OR IN PART, IS HEREBY
 PROHIBITED EXCEPT AS SPECIFIED IN WRITING BY GLOBTEK, INC.

REVISION			
REV	DESCRIPTION	DATE	APPROVED
A	INITIAL RELEASE, RFS. 17955, CH	01/20/10	HM
B	UPDATE SR TO GTM21097 TYPE, RFS. 18625, BS	05/03/10	HM



GENERAL SPECIFICATIONS:

- VOLTAGE: 300 V
- TEMPERATURE: 80°C
- CABLE TYPE / SIZE: SILICONE INSULATION SILICONE JACKET CABLE, 24/0.20 STRANDING, 18 AWG(0.75 mm²) x 2C
- CABLE JACKET COLOR: BLACK
- CONDUCTORS COLOR: BLUE, BROWN
- OVERALL LENGTH (L): 1830 + 100, -0 mm
- END 'A' TERMINATION: STRAIGHT FEMALE BARREL 5.5 x 2.1 x 11 mm (SPRING LOADED WITH LOCKING NOTCH)
- END 'B' TERMINATION: STRIP & TIN
- STRAIN RELIEF: SR FOR GTM21097 TYPE
- APPROVALS CABLE: DESIGN TO MEET UL, CSA or cUL
- APPROVALS CONNECTOR: N/A



PACKING:
 BULK PACKED, BUNDLES OF 25.
 MAXIMUM SHIPPING CARTON WEIGHT IS 30 KG.

NOTE:
 CORD, PLUG AND CONNECTOR MUST BE MARKED WITH APPROVAL SYMBOLS OR FILE NUMBER(S) IF APPLICABLE.



DASH NO.	PART NO	REV.	DESCRIPTION	NOTES
TABULATION BLOCK				
			TOLERANCES: DECIMALS ANGULAR .xx +/- 0.01 +/- 1° .xxx +/- .005 MILLIMETERS ANGULAR .x +/- 1.0 +/- 1° .xx +/- 0.5	GlobTek, Inc. www.globtek.com 186 Veterans Dr. Northvale, NJ 07647 Tel. 201-784-1000 Fax 201.784.0111
INIT.BY: CH	DATE: 01/20/10	DWG TITLE: SILICONE JACKET OUTPUT CABLE ASSEMBLY WITH STRAIN RELIEF		
DRAWN: NF	DATE: 01/20/10	FSCN No.: G, CC	SIZE: A	REV. B
APRVD: HM	DATE: 01/20/10	SCALE: NONE	PART NO: CCP6186FSILI-SR(R)	SHEET 1/1

Foot Note:
 Globtek Inc. will not be liable for the safety and performance of these power product if unauthorized access and repair occurs. End user should consult the applicable UL, CSA or EN Standards for proper installation instruction.

Limitation of Use:
 Globtek product are not authorized for use as mission critical components in life support, hazardous environment, nuclear or aircraft applications without prior written approval from the CEO of Globtek Inc.

Contents of this document are subject to change without prior notice