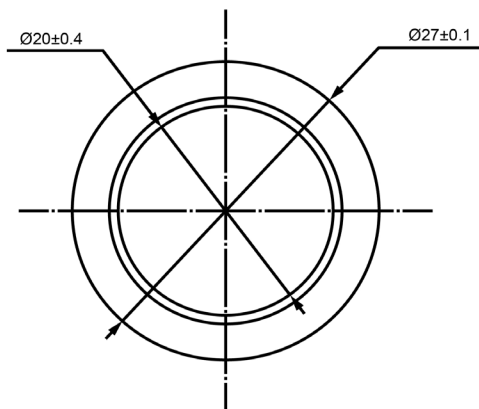
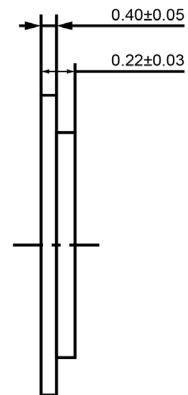



TOP VIEW



SIDE VIEW



Specifications			Notes	Revision History																	
Description	Value	Unit		Version	Description	Date	Approved														
Resonant Frequency	4,000	(Hz)	1) All dimensions are in mm unless otherwise noted 2) All parts meet RoHS	1	Released from Engineering	10/21/2013	J.S														
Resonant Impedance (Max)	200	(Ohm)																			
Max Input Voltage	30	(V)																			
Capacitance	28,000	(pF)																			
Plate Material	Brass																				
Operating Temperature	-20 ~ +60	$^{\circ}\text{C}$																			
Storage Temperature	-20 ~ +70	$^{\circ}\text{C}$																			
			 <b>DB UNLIMITED</b>	<table border="1"> <thead> <tr> <th>Drawn by</th> <th>Date</th> <th>Checked by</th> <th>Date</th> <th>Approved by</th> <th>Date</th> </tr> </thead> <tbody> <tr> <td>A.B.</td> <td>10/21/2013</td> <td>C.E.</td> <td>10/21/2013</td> <td>J.S</td> <td>10/21/2013</td> </tr> </tbody> </table>	Drawn by	Date	Checked by	Date	Approved by	Date	A.B.	10/21/2013	C.E.	10/21/2013	J.S	10/21/2013					
Drawn by	Date	Checked by		Date	Approved by	Date															
A.B.	10/21/2013	C.E.		10/21/2013	J.S	10/21/2013															
				<b>Piezo Bender</b>			<b>P27040-2</b>														