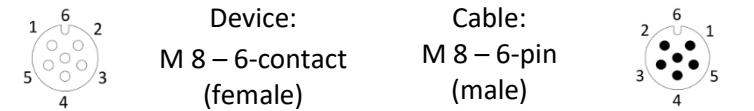
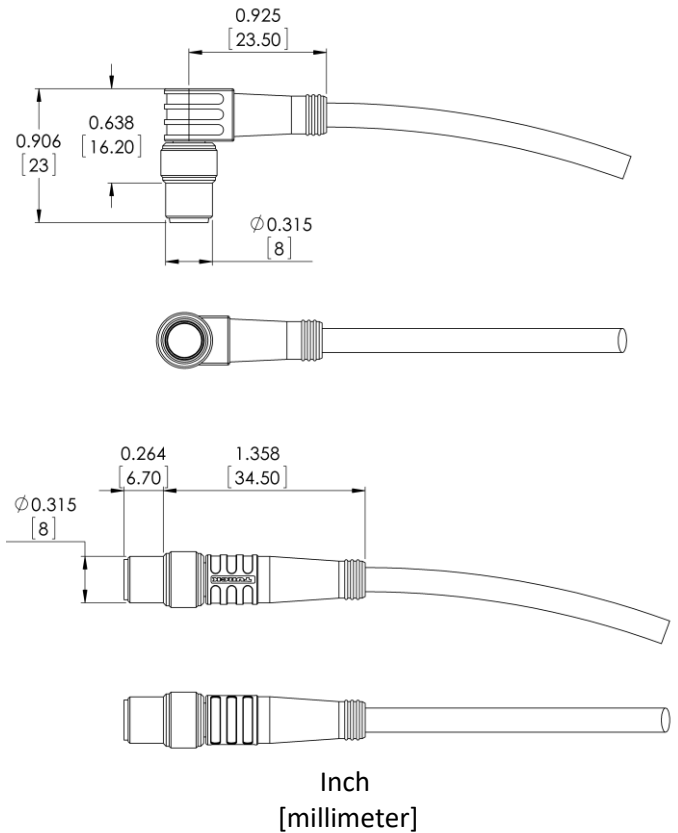


Terminal Assignment

Connector Pins	RS232/UART/USB**	RS422	RS485	Wireless	Wire Color
Pin 1	+Vin	+Vin	+Vin	+Vin	Brown
Pin 2	GND	GND	GND	GND	White
Pin 3	TX	TX+	D+	–	Blue
Pin 4	–	TX-	D-	–	Black
Pin 5	RX	RX+	D+	–	Gray
Pin 6	–	RX-	D-	–	Pink



Dimensional Drawing



Specifications

Protection	IP 67
Material	Connector: brass / nickel Cable molded head: TPU Cable carrier: TPU or nylon Conductor insulation: PVC
Operational Temperature range [†]	-40°C to +85°C (-40°F to +185°F)
Connection	Cable gland Connector M8, 6-contact (male)

Communication Cable Part Number[‡]

XXX XX – X – X – CS

Interface
G UART / RS232 / RS422 / RS485
U USB
W Wireless[§]

Length
1 meter
2 meter
3 meter
4 meter (non-stock)
5 meter (non-stock)
6 meter (non-stock)
10 meter (non-stock)
15 meter (non-stock)
30 meter (non-stock)

Type
PSG 6M Straight
PSW 6M Right Angle

Warranty: This product has 18 months limited warranty. For more information, please visit: www.CTiSensors.com/warranty

CTI SENSOR, INC.
 30301 Emerald Valley Parkway, Unit B
 Solon, OH 44139
 Phone: (440) 264 - 2370
 Email: sales@CTiSensors.com

[†] Cable is a third party product with temperature tolerance from -40°C to +105°C (-40°F to +221°F).

[‡] Available options for this model are underlined.

[§] Wireless Module on device side has to be powered.

All contents of this document are subject to change without any notice.

** USB interface uses UART interface and a UART to USB driver.