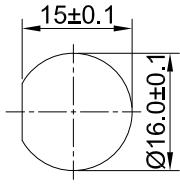
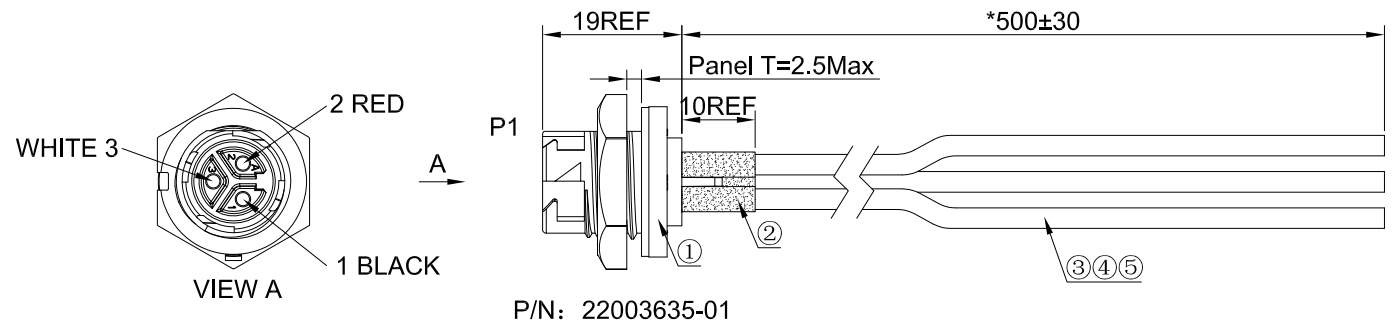


THIS INFORMATION IS CONFIDENTIAL AND IS DISCLOSED TO YOU ON CONDITION THAT NO FURTHER DISCLOSURE IS MADE BY YOU TO OTHER THAN CHOGORI PERSONNEL WITHOUT AUTHORIZATION FROM CHOGORI CORP.

CUSTOMER No. :	REV. :	CATEGORY	IN LINE WITH THE TYPE		PAGE	REV. :	ECN&ECR No.	DESCRIPTION	DSN	DATE
			YES	NO		C1	NA	Initial Drawing	XU	2022.05.27
		NEW ENERGY VEHICLE PRODUCTS		√						
		INDUSTRIAL PRODUCTS	√							
		RoHS	√							
		REACH		√						
		Halogen-Free		√						
		CALIFORNIA 65		√						



Panel Cut-Out



P/N: 22003635-01

- SPECIFICATIONS:**
- INSULATION RESISTANCE: 10MΩ@500VDC/0.01S.
 - VOLTAGE RATING: 600V.
 - CURRENT RATING: 10A.
 - OPERATION TEMPERATURE: -10°C~+105°C.
 - WATERPROOF IPX7(MATED).
 - RoHS COMPLIANT.

5	900-00101-00033	A/C	M	UL1015 18AWG PVC 105°C 600V WHITE OD2.8
4	900-00101-00087	A/C	M	UL1015 18AWG PVC 105°C 600V RED OD2.8
3	900-00101-00032	A/C	M	UL1015 18AWG PVC 105°C 600V BLACK OD2.8
2	504-00049-00	A/C	M	ADHESIVE HEAT SHRINK TUBE OD3.2
1	22003635-01	1	PC	STANDARD SERIES 3PIN PANEL MOUNT WITH FEMALE PIN(4 LOCKS -501)
ITEM	PART NO	QTY	UNIT	DESCRIPTION

MATERIAL OF BILL

PART No.:	11C03622051309	DRAWN BY:	XU	TECHNICS:	
MATERIAL:		PROOFREAD BY:		QUALITY:	
MOLD No.:		CHECKED BY:		APPROVED BY:	
		STANDARDISATION:			

UNIT: mm		DESCRIPTION: STANDARD SERIES 3PIN PANEL MOUNT WITH FEMALE PIN(4 LOCKS -501) L=500MM			
未注线性和角度尺寸公差 UNSPECIFIED TOLERANCE		SCALE: 1:1	SHEET: 1 OF 1		
GB/T 1804-M		REV.: C1	SIZE: A4	ASME Y14.5-2009	

CHOGORI[®]
深圳乔合里科技股份有限公司

A B C D E F