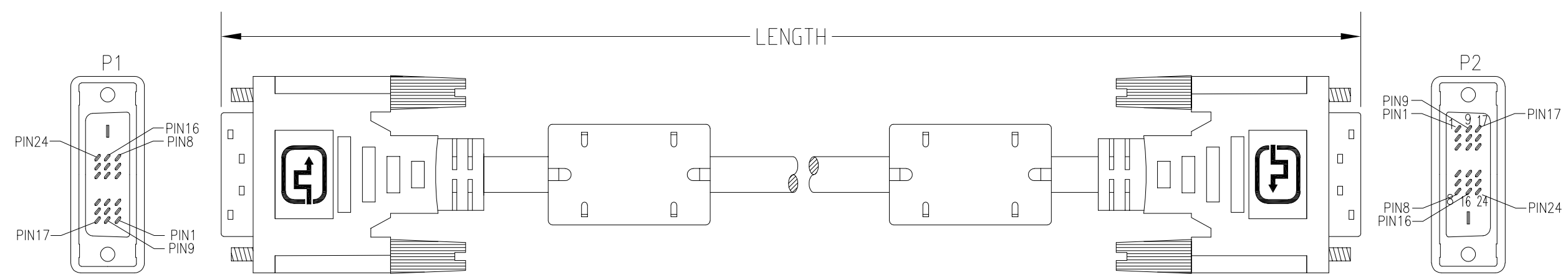
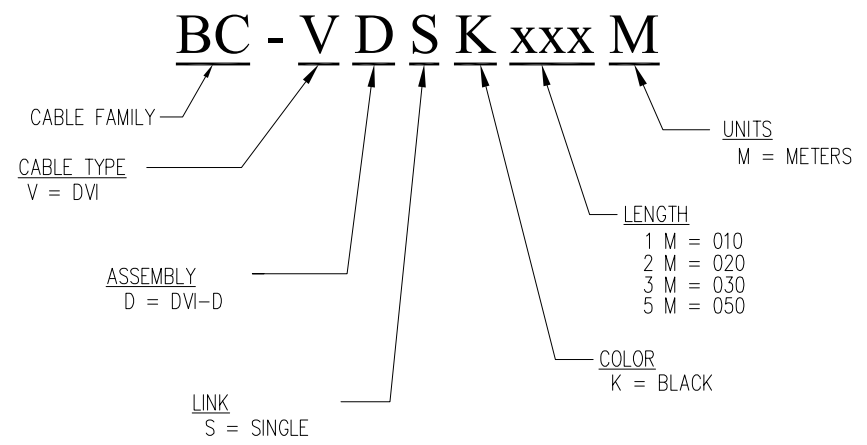


DATE	REV	ECN	APP'D. BY
11/06/19	A0	-	JME
12/04/19	A1	11483	ADB



PART NUMBER KEY



O/A Length Tolerance:

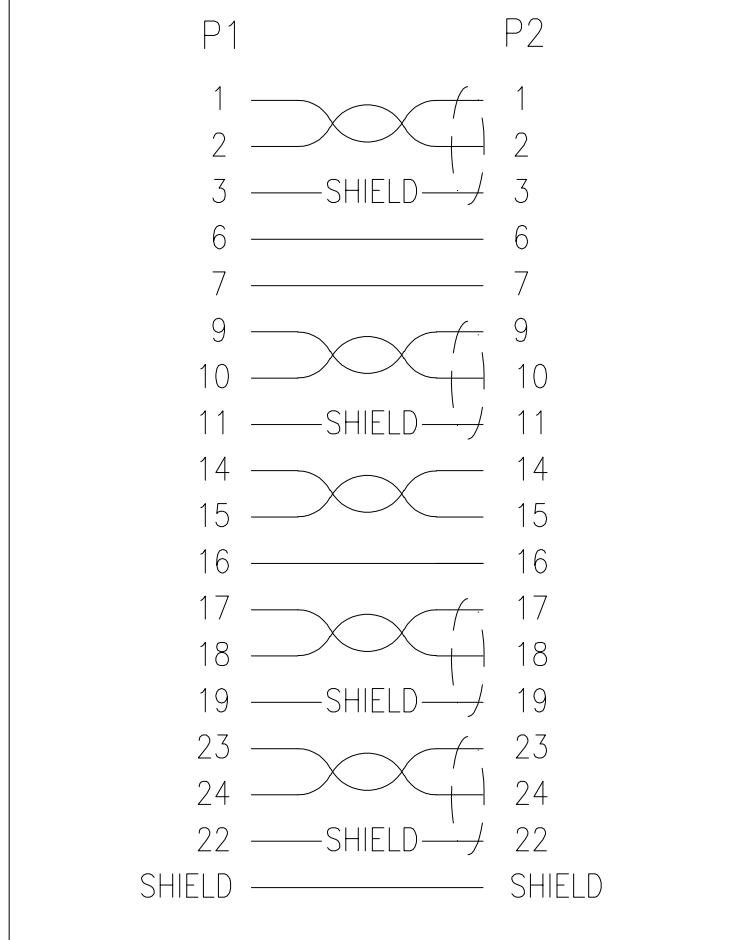
Metric	
0 ~ 200mm	±10mm
201 ~ 1000mm	±20mm
1001 ~ 1500mm	±25mm
1501 ~ 2100mm	±30mm
>2100mm	±40mm

Imperial	
0 ~ 1ft	±0.5in
2ft ~ 3ft	±0.75in
4ft ~ 7ft	±1.0in
> 7ft	±1.5in

NOTES:

- EACH CABLE ASSEMBLY INDIVIDUALLY BAGGED
- CONNECTOR (P1): DVI 19 MALE, GOLD PLATING ON CONTACTS, GOLD CONNECTOR, BLACK INSULATOR
- CONNECTOR (P2): DVI 19 MALE, GOLD PLATING ON CONTACTS, GOLD CONNECTOR, BLACK INSULATOR
- WIRE CONSTRUCTION: UL20276; BLACK JACKET, OD 0.287" [7.3 mm]
- FERRITE CORE: 0.7 x 1.12 x 0.41", MOLDED BLACK PVC

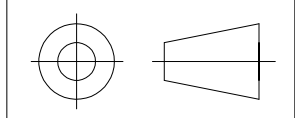
WIRING MAP



TYPICAL PART NUMBERS	
PART NUMBER	LENGTH METERS [FEET]
BC-VDSK010M	1 [3.28]
BC-VDSK020M	2 [6.56]
BC-VDSK030M	3 [9.84]
BC-VDSK050M	5 [16.4]
FOR PART NUMBERS NOT SHOWN FOLLOW PART NUMBER KEY FORMAT	



THIRD ANGLE PROJECTION



DO NOT SCALE DRAWING
DRAWING IS SUBJECT TO CHANGE WITHOUT NOTICE
DIMENSIONS: INCHES [METRIC]
UNLESS OTHERWISE SPECIFIED TOLERANCES ARE ±.005 [0.13] ANGLES ARE ± 1°
SHEET NO. 1 OF 1



206 Van Vorst Street
Jersey City, NJ 07302
+1 201 432 0463
<http://www.belfuse.com>

TITLE: DVI-D SINGLE LINK TO DVI-D SINGLE LINK (18+1 TYP.) CABLE WITH FERRITE CORE

THIS DRAWING AND THE SUBJECT MATTER SHOWN THEREON ARE CONFIDENTIAL AND THE PROPRIETARY PROPERTY OF BEL FUSE, INC. AND SHALL NOT BE REPRODUCED, COPIED, OR USED IN ANY MANNER WITHOUT PRIOR WRITTEN CONSENT OF BEL FUSE, INC.

DRN BY: BTS	DATE: 11/06/19
APPD BY: JME	DATE: 11/06/19
DWG NO. CT999210	REV. A1