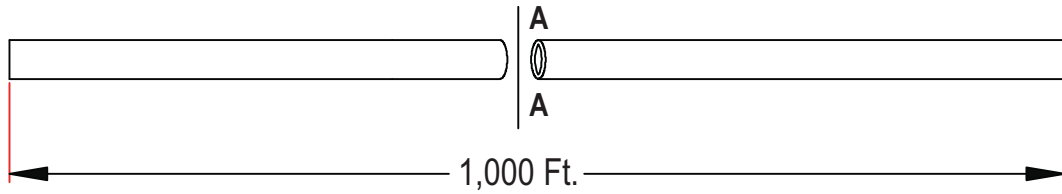


A



A

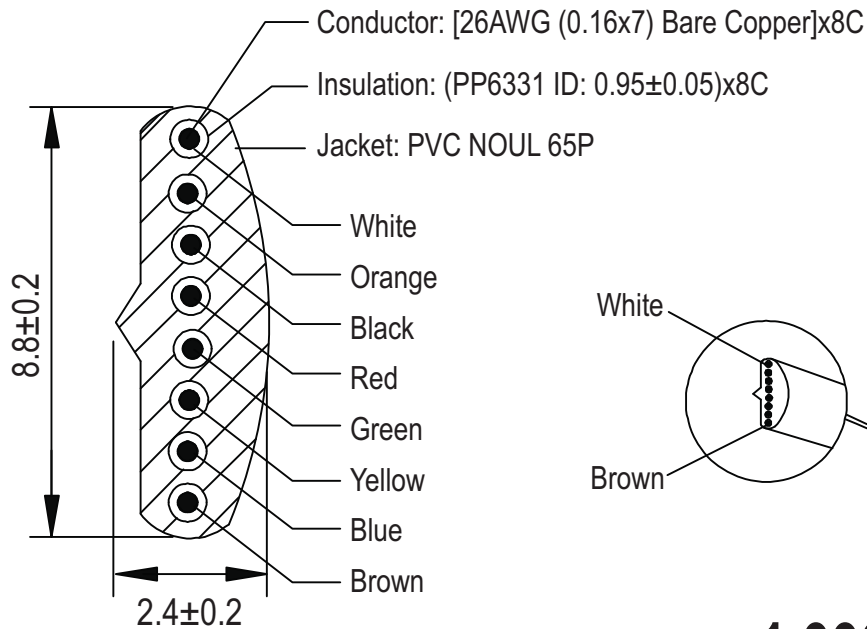
B

C

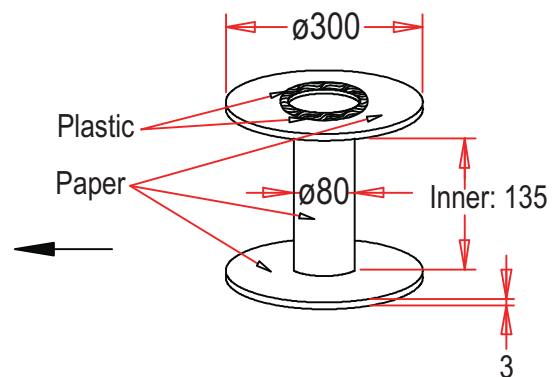
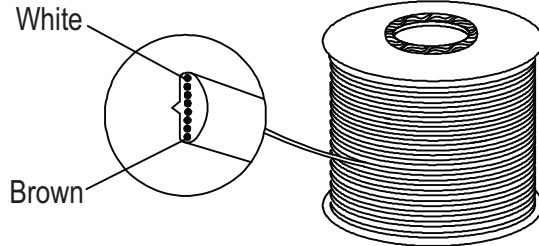
D

E

F



Sec: A - A



1,000Ft/R. "PE" Foam Wrapped

Voltage rating: 30V (DC)

Unit: MM



Scale	1:1						Name
TOLERANCE					Drawn	11.18.11	Chappell
X.X	±0.40				Approved		
X.XX	±0.25						
X.XXX	±0.15						
Angle	±3°						
				ASSMANN WVS components			
				Modification	Date	Name	

Item No.	AT-K-26-8-S/1000-R
Title	Modular Straight cable - Raw, 8 Contact, 26AWG, Silver, 1000Ft
Drawing No.	
Replace	rev00
Sheet	

H

H