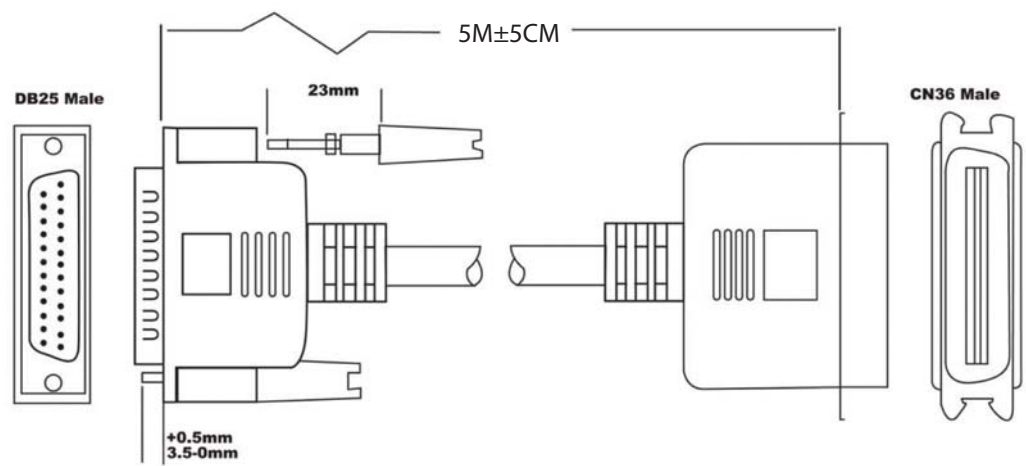
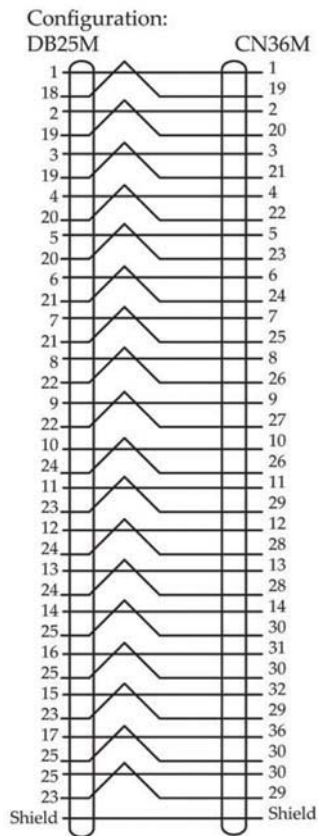


A
B
C
D
E
F
G
H

A
B
C
D
E
F
G
H



- Material:**
- Cable: UL20276, #28, 18PAIRS+1+AL/MY+Braid (Beige PVC Jacket) O.D:5.0MM Insulation conduct with P.P Type
 - Both connectors with normal type
 - Thumbscrew: #4-40UNC Type
 - Both connectors inner colded with copper tape and solder (360°) Allover Molded with Beige PVC
- Copper Tape Size:
DB25 Male:(30mmX95mm)
CN36 Make:(30mmX110mm)

- Note:**
1. Total Length: See Item No.
 2. Color: Beige
 3. Molded Type



Scale	1:1						Name
TOLERANCE					Drawn	11.11.11	Chappell
X.X	±0.40				Approved		
X.XX	±0.25						
X.XXX	±0.15						
Angle	±3°						
			Modification	Date	Name		

Item No.		AK713-5-R (5 Meters)
Title		
IEEE 1284 Bi-Directional Printer Cable, D-Sub 25 Pin Male to CENT 36 Pin Male		
Drawing No.		rev00
Replace		
		Sheet