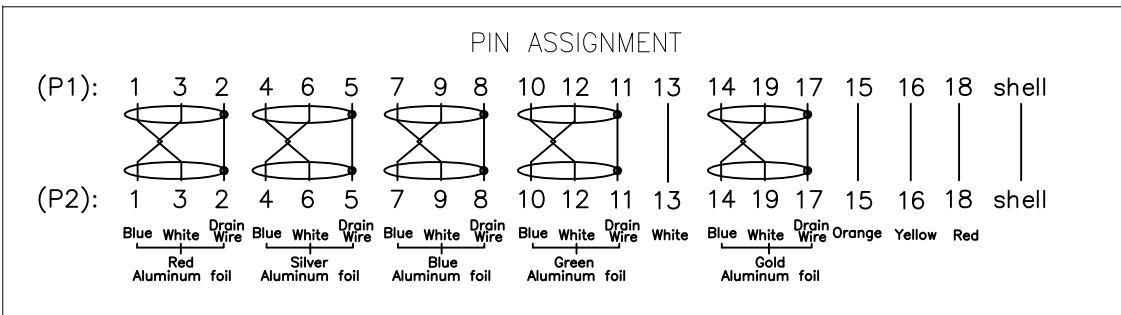
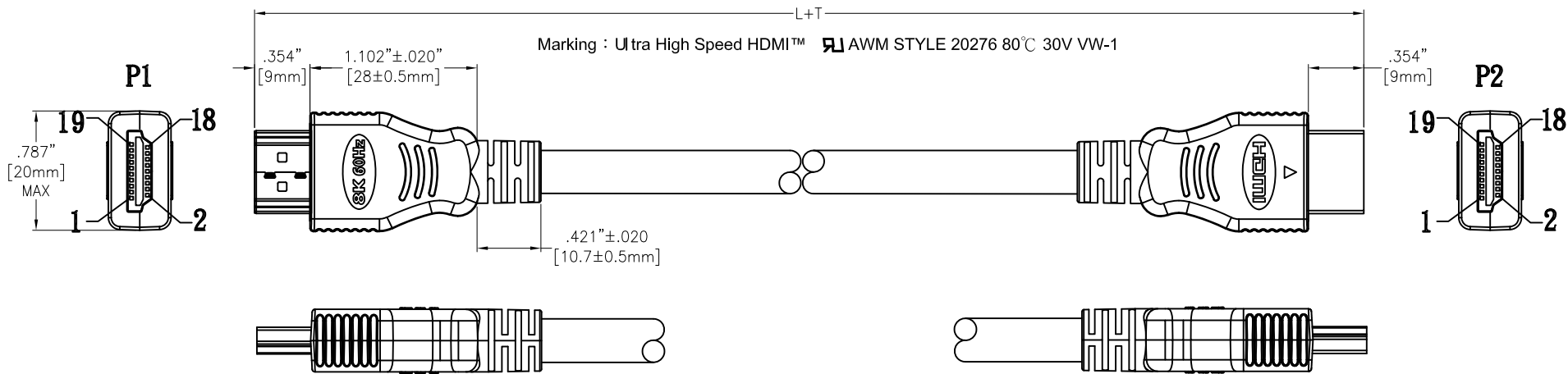


APPROVED: _____

DATE: _____ TITLE: _____

CUSTOM CABLE ASSEMBLIES ARE NON-CANCELLABLE/NON-RETURNABLE

Rev	AWO #	Description	Date	Appr
-		RELEASED	11/6/20	
A		UPDATE DRAWING	11/18/20	LH/RC
B		ADDED DRAWING PAGE 2, 3	12/24/20	LH/RC
C		ADDED SPEC.	1/7/21	LH/RC



8K and Supports Bandwidth Speeds up to 48Gbps

ADAM P/N	L+T
CA-HDMI21-AM/AM-3FT	36.024"±1.181" [915±30mm]
CA-HDMI21-AM/AM-6FT	72.047"±1.969" [1830±50mm]
CA-HDMI21-AM/AM-10FT	DRAWING SEE PAGE 2
CA-HDMI21-AM/AM-16.5FT	DRAWING SEE PAGE 3

SPECIFICATIONS:

Connector:

P1=P2= HDMI A 2.1 Type Plug, Pin: Gold Flash Plated, Shell: Tin over Nickel, Insulator color: Black Overmold Color: Black, 55P PVC

Cable:

30#,(1/0.254BCX1/0.254TC+AL-Foil+Adhesive-PET)x5C+1/0.254BCX4C+AEB-(144#/0.12AL)

O.D: .248" [6.3mm], Jacket Color: Black PVC

Electrical Test:

All Assemblies must be 100% Tested for Shorts, Open, Continuity, and Physical Appearance.

Environmental:

Lead free, RoHS compliant



UNLESS OTHERWISE SPECIFIED
ALL DIMENSIONS ARE INCHES [MM]
TOLERANCES: EXCEPT AS NOTED

INCHES		HOLES	
.X	± .10	Ø.X	± .10
.XX	± .020	Ø.XX	± .015
.XXX	± .015	Ø.XXX	± .010

APPROVALS		DATE
DRAWN	LH	11/6/20
CHECKED	RC	11/6/20
APPROVED		

909 Rahway Avenue,
Union, NJ 07083
Phone: 908-687-5000
Fax: 908-687-5710

**ADAM
TECH**

TITLE: **CUSTOM ASSEMBLY, 30 AWG
HDMI A 2.1TYPE PLUG TO HDMI A 2.1TYPE PLUG**

SIZE X	PART NO. CA-HDMI21-AM/AM-XFT	REV. C
REF: S00013T	SCALE: NTS	SHEET 1 OF 3

6

5

4

3

2

1

APPROVED: _____

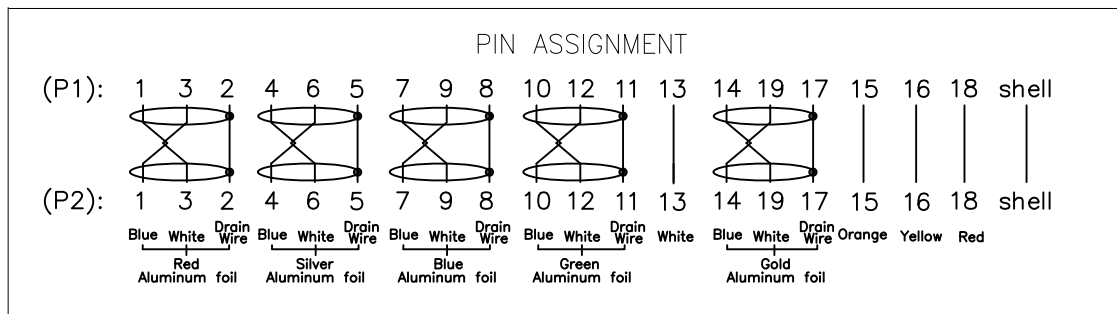
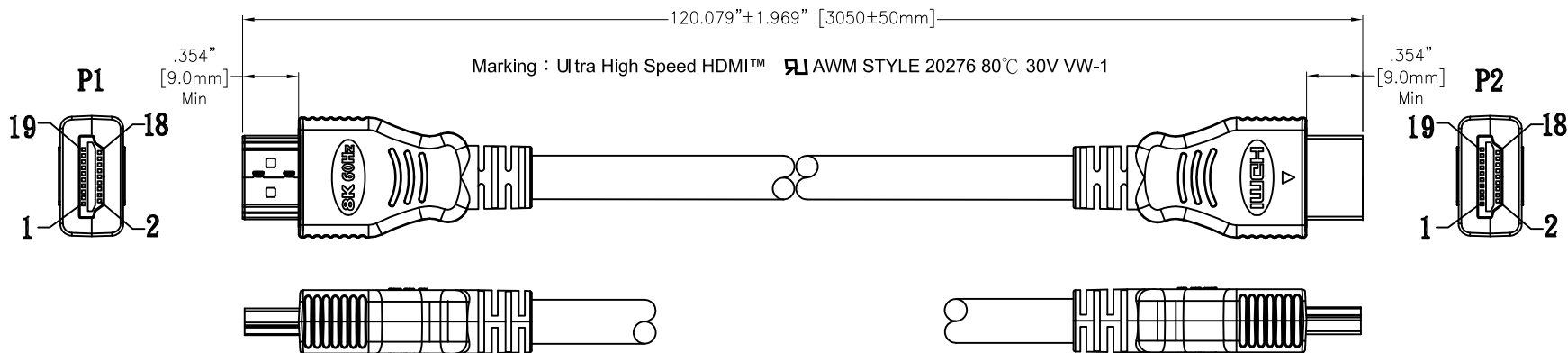
DATE: _____ TITLE: _____

CUSTOM CABLE ASSEMBLIES ARE NON-CANCELLABLE/NON-RETURNABLE

Rev	AWO #	Description	Date	Appr
-----	-------	-------------	------	------

SEE SHT 1 OF 3 FOR REVISION

CA-HDMI21-AM/AM-10FT



SPECIFICATIONS:

Connector:

P1=P2= HDMI A 2.1 Type Plug, Pin: Gold Flash Plated, Shell: Tin over Nickel, Insulator color: Black Overmold Color: Black, 55P PVC

Cable:

28#.(1/0.35BCX1P+1/0.254TC+AL-Foil+Adhesive-PET)x5C+1/0.32BCX1C+1/0.254BC*3C+AL-Foil+1/0.254TC +160/0.12TC, O.D: .287" [7.3mm], Jacket Color: Black PVC

Electrical Test:

All Assemblies must be 100% Tested for Shorts, Open, Continuity, and Physical Appearance.

Environmental:

Lead free, RoHS compliant



UNLESS OTHERWISE SPECIFIED ALL DIMENSIONS ARE INCHES [MM] TOLERANCES: EXCEPT AS NOTED INCHES HOLES

.X	± .10	∅X	± .10
.XX	± .020	∅.XX	± .015
.XXX	± .015	∅.XXX	± .010

APPROVALS		DATE
DRAWN	LH	11/6/20
CHECKED	RC	11/6/20
APPROVED		



909 Rahway Avenue, Union, NJ 07083
Phone: 908-687-5000
Fax: 908-687-5710

TITLE			
CUSTOM ASSEMBLY, 28 AWG			
HDMI A 2.1TYPE PLUG TO HDMI A 2.1TYPE PLUG			
SIZE	PART NO.	REV.	
X	CA-HDMI21-AM/AM-XFT	C	
REF:	S00013T	SCALE: NTS	SHEET 2 OF 3

6

5

4

3

2

1

6

5

4

3

2

1

APPROVED: _____

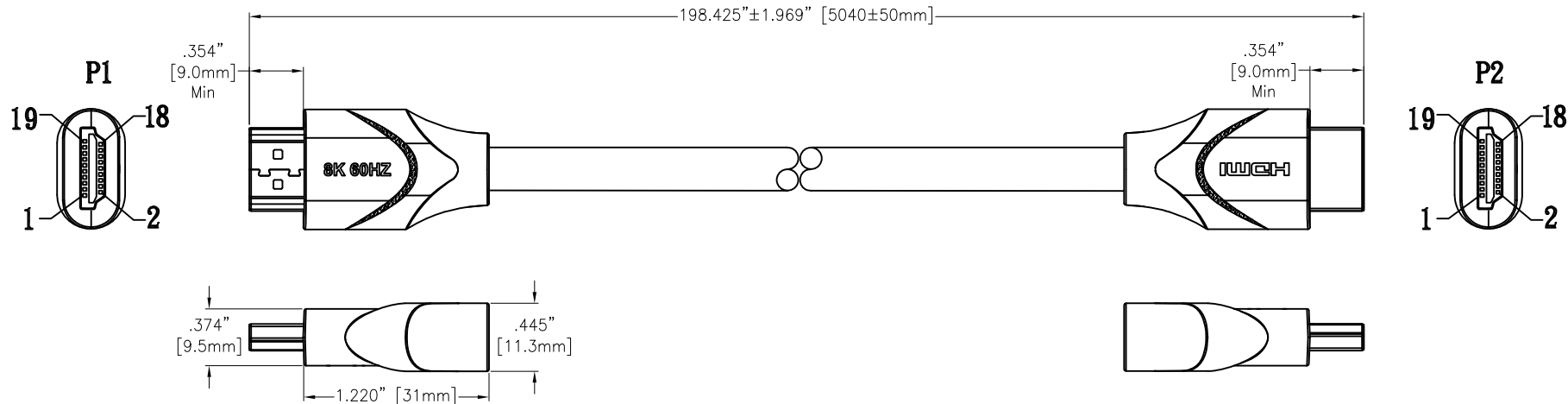
DATE: _____ TITLE: _____

CUSTOM CABLE ASSEMBLIES ARE NON-CANCELLABLE/NON-RETURNABLE

Rev	AWO #	Description	Date	Appr
-----	-------	-------------	------	------

SEE SHT 1 OF 3 FOR REVISION

CA-HDMI21-AM/AM-16.5FT



PIN ASSIGNMENT																				
(P1):	1	3	2	4	6	5	7	9	8	10	12	11	13	14	19	17	15	16	18	shell
(P2):	1	3	2	4	6	5	7	9	8	10	12	11	13	14	19	17	15	16	18	shell
	Blue	White	Drain	Blue	White	Drain	Blue	White	Drain	Blue	White	Drain	White	Blue	White	Drain	Orange	Yellow	Red	
	Red	Aluminum foil		Silver	Aluminum foil		Blue	Aluminum foil		Green	Aluminum foil			Gold	Aluminum foil					

SPECIFICATIONS:

Connector:

P1=P2= HDMI A 2.1 Type Plug, Pin: Gold Flash Plated, Shell: Tin over Nickel, Insulator color: Black Overmold Color: Black, 55P PVC

Cable:

26#, (1/0.45BCX1/0.32TC+AL-Foil+Adhesive-PET)x5C+1/0.32BCX1C+1/0.254BC*3C+M+AL-Foil +1/0.32TC+176#*0.12TC O.D: .354" [9.0mm], Jacket Color: Black PVC

Electrical Test:

All Assemblies must be 100% Tested for Shorts, Open, Continuity, and Physical Appearance.

Environmental:

Lead free, RoHS compliant



UNLESS OTHERWISE SPECIFIED
ALL DIMENSIONS ARE INCHES [MM]
TOLERANCES: EXCEPT AS NOTED

INCHES			
.X	± .10	∅X	± .10
.XX	± .020	∅XX	± .015
.XXX	± .015	∅XXX	± .010

APPROVALS		DATE
DRAWN	LH	11/6/20
CHECKED	RC	11/6/20
APPROVED		



909 Rahway Avenue,
Union, NJ 07083
Phone: 908-687-5000
Fax: 908-687-5710

TITLE			CUSTOM ASSEMBLY, 26 AWG		
HDMI A 2.1TYPE PLUG TO HDMI A 2.1TYPE PLUG					
SIZE	PART NO.	REV.			
X	CA-HDMI21-AM/AM-XFT	C			
REF:	S00013T	SCALE:	NTS	SHEET 3 OF 3	

6

5

4

3

2

1